

YAMAHA

PARTS LIST

MODEL DT50M'79

(MODEL CODE 2M6)

FOR HOLLAND

COPY RIGHT: ALL RIGHTS RESERVED
NO PART OF THIS PUBLICATION MAY BE REPRODUCED WITHOUT PERMISSION.

2M6-28198-E6

FOREWORD

This Parts List is related to the parts in use for the Yamaha DT50M ('79). When you are ordering replacement parts for the DT50M ('79), refer to this Parts List and quote both part numbers and part names correctly.

1. Modifications or additions which have been made after issue of the Parts List will be announced in the Yamaha Parts News.

It is advisable that according to the Yamaha Parts News you make necessary corrections to the Parts List on hand to keep it up-to-date.

2. Abbreviations

The following abbreviations are used in this Parts List.

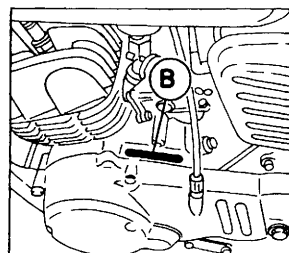
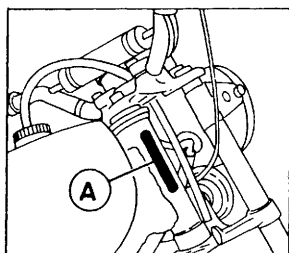
- U.R. Use size (thickness) and/or number as required.
- U.N. Use as many as you need.
- F# Frame No. (Applicable machine No.)

3. Parts, which are to be supplied in the form of assemblies, are listed with an indentation of one letter's space, and a dot (.) is put against the name of each part.

EXAMPLE CARBURETOR ASS'Y
 . JET, pilot
 . NOZZLE, main

4. Initial Serial No. and Color Code

(A)	Frame Serial No.	2M6-300101 and following
(B)	Engine Serial No.	2M6-300101 and following



Color Code	Color Name	Color Code	Color Name
33	Yamaha Black	66	Sunshine Red
35	Silver	93	Chrome Plated
36	Clean White	98	Low Gloss Black

CONTENTS

ENGINE

Fig. 1	Crankcase · Cylinder	1
Fig. 2	Crankcase Cover	2
Fig. 3	Crank · Piston	3
Fig. 4	Clutch	5
Fig. 5	Transmission	6
Fig. 6	Shifter 1	8
Fig. 7	Shifter 2	9
Fig. 8	Kick Starter	10
Fig. 9	Intake	11
Fig. 10	Carburetor	12
Fig. 11	Exhaust	14
Fig. 12	Oil Pump	15
Fig. 13	Flywheel Magneto	16

CHASSIS

Fig. 14	Frame · Side Cover	17
Fig. 15	Rear Arm · Rear Cushion · Chain Case	18
Fig. 16	Crank Pedal · Footrest	19
Fig. 17	Stand · Brake Pedal	20
Fig. 18	Front Fender · Rear Fender	21
Fig. 19	Front Fork	22
Fig. 20	Steering	23
Fig. 21	Handle · Wire	24
Fig. 22	Fuel Tank	25
Fig. 23	Oil Tank	26
Fig. 24	Seat	27
Fig. 25	Front Wheel	28
Fig. 26	Rear Wheel	30
Fig. 27	Head Lamp	32

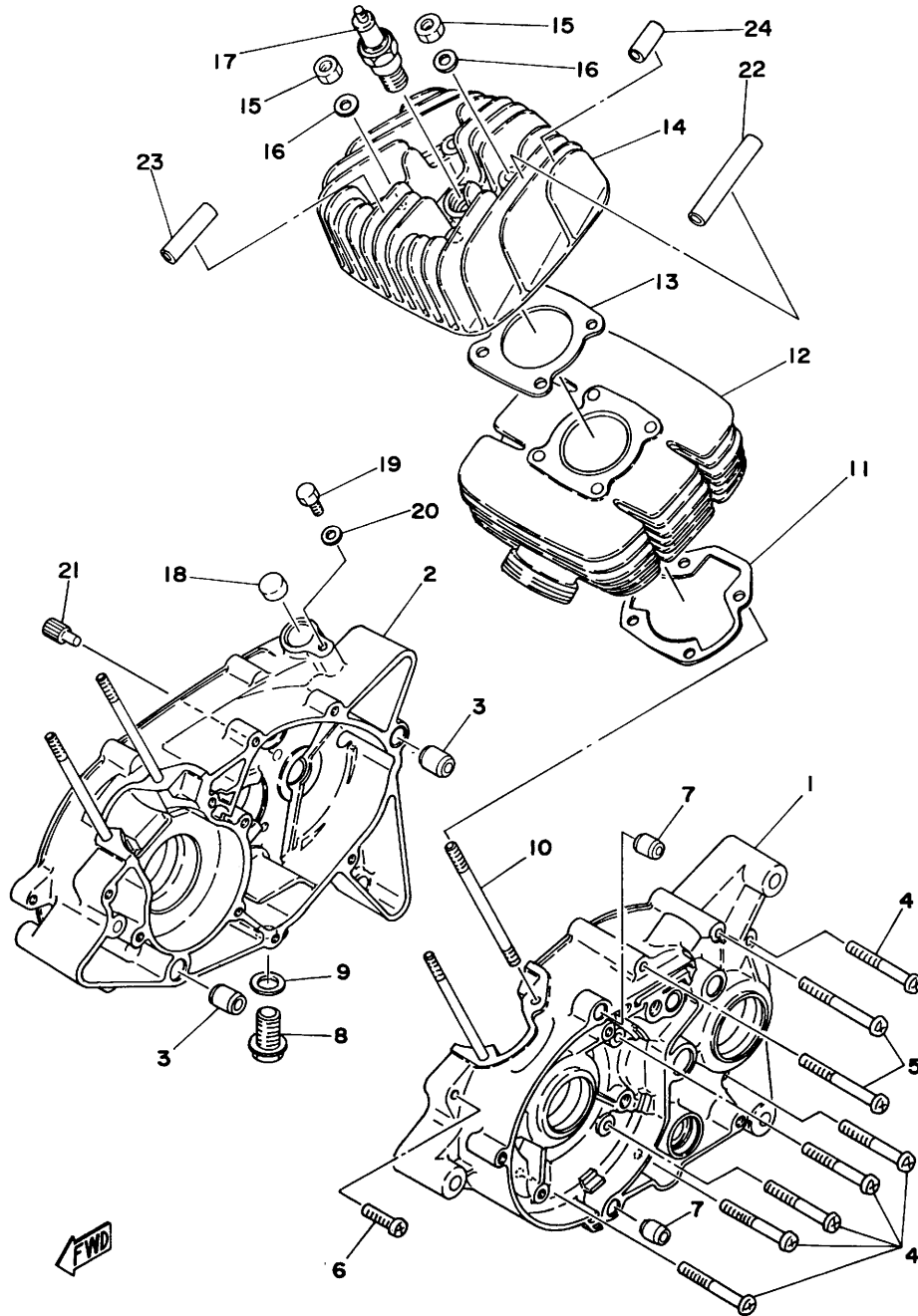
Fig. 28	Speedometer	33
Fig. 29	Tail Lamp	34
Fig. 30	Flasher Lamp	35
Fig. 31	Electrical	36

REPAIR KIT

Fig. 32	Repair Kit	38
---------	------------	----

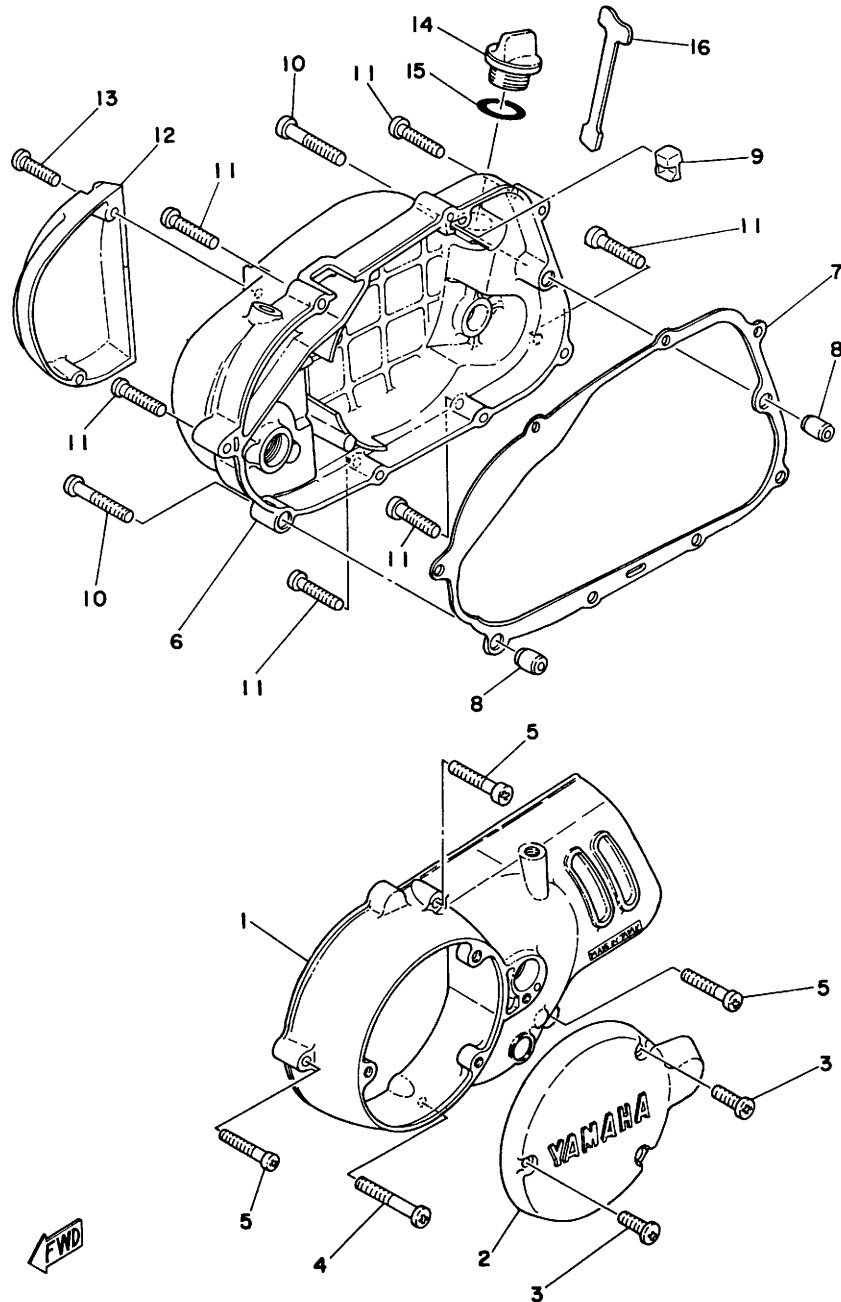
NUMERICAL INDEX

Fig. 1 CRANKCASE · CYLINDER



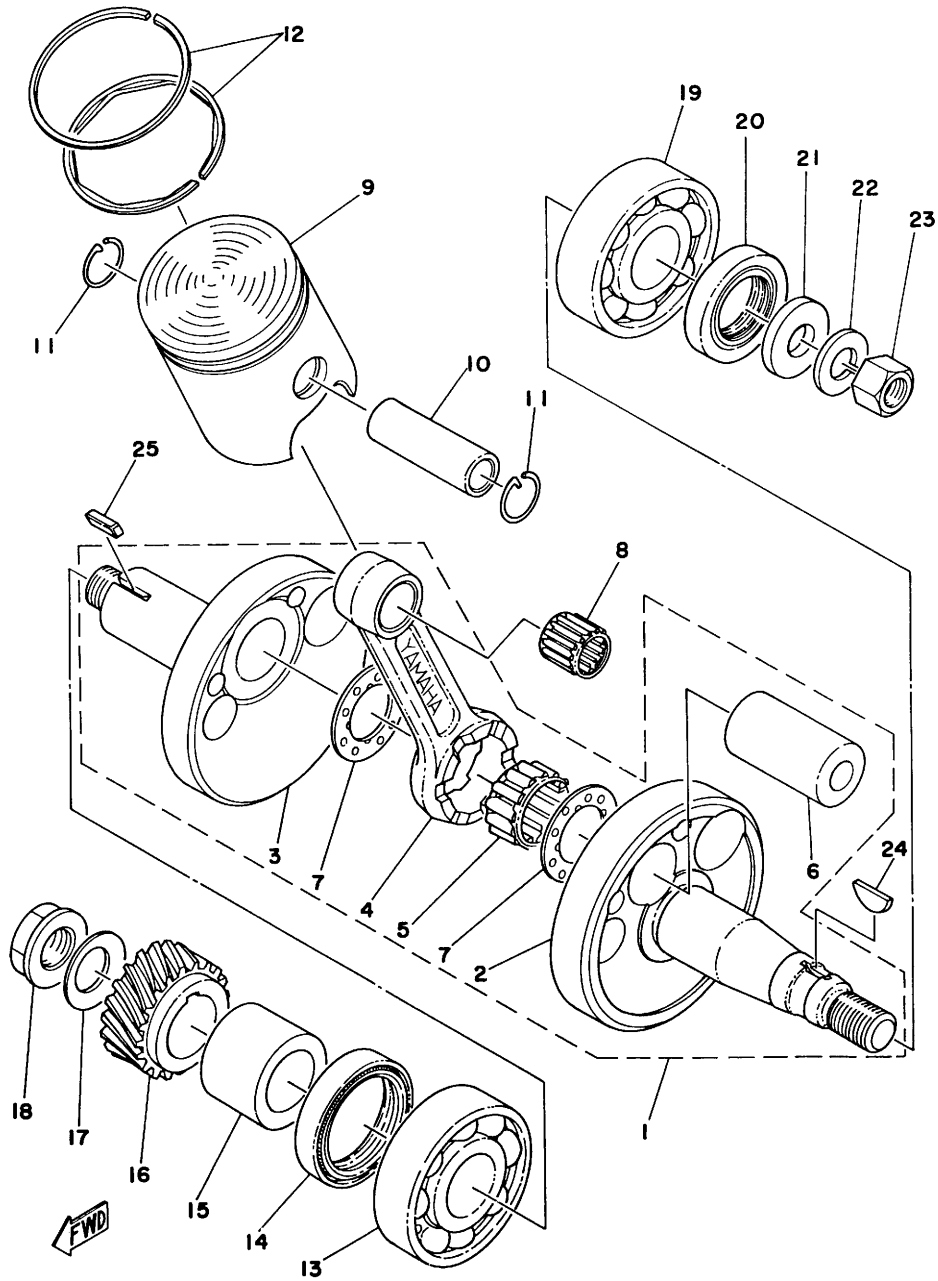
Ref. No.	Part No.	Description	Q'ty	Applicable Machine No.	Remarks
1- 1	353-15111-00	CASE, crank left	1		
1- 2	353-15121-02	CASE, crank right	1		
1- 3	91830-22016	PIN, dowel (8.4-12-16)	2		
1- 4	92501-06050	SCREW, panhead	8		
1- 5	92501-06055	SCREW, panhead	2		
1- 6	92501-06025	SCREW, panhead	1		
1- 7	91830-21014	PIN, dowel (6.4-10-14)	2		
1- 8	90340-12005	PLUG (132-15351-00)	1		
1- 9	90430-12038	GASKET (132-15353-00)	1		
1-10	90116-06026	BOLT, stud (109-11361-00)	4		
1-11	353-11351-00	GASKET, cylinder	1		
1-12	1G3-11311-00	CYLINDER	1		
1-13	517-11181-00	GASKET, cylinder head	1		
1-14	1X7-11111-00-94	HEAD, cylinder	1		
1-15	95301-06600	NUT, hexagon	4		
1-16	92901-06200	WASHER, plain	4		
1-17	94701-00039	PLUG, spark (B-6HS)	1		
1-18	90338-16029	PLUG, blind	1		
1-19	97301-06010	BOLT, hexagon	1		
1-20	92901-06200	WASHER, plain	1		
1-21	492-15387-00	STOPPER, change lever	1		
1-22	420-11127-00	ABSORBER 3	2		
1-23	420-11128-00	ABSORBER 4	6		
1-24	420-11129-00	ABSORBER 5	2		

Fig. 2 CRANKCASE COVER



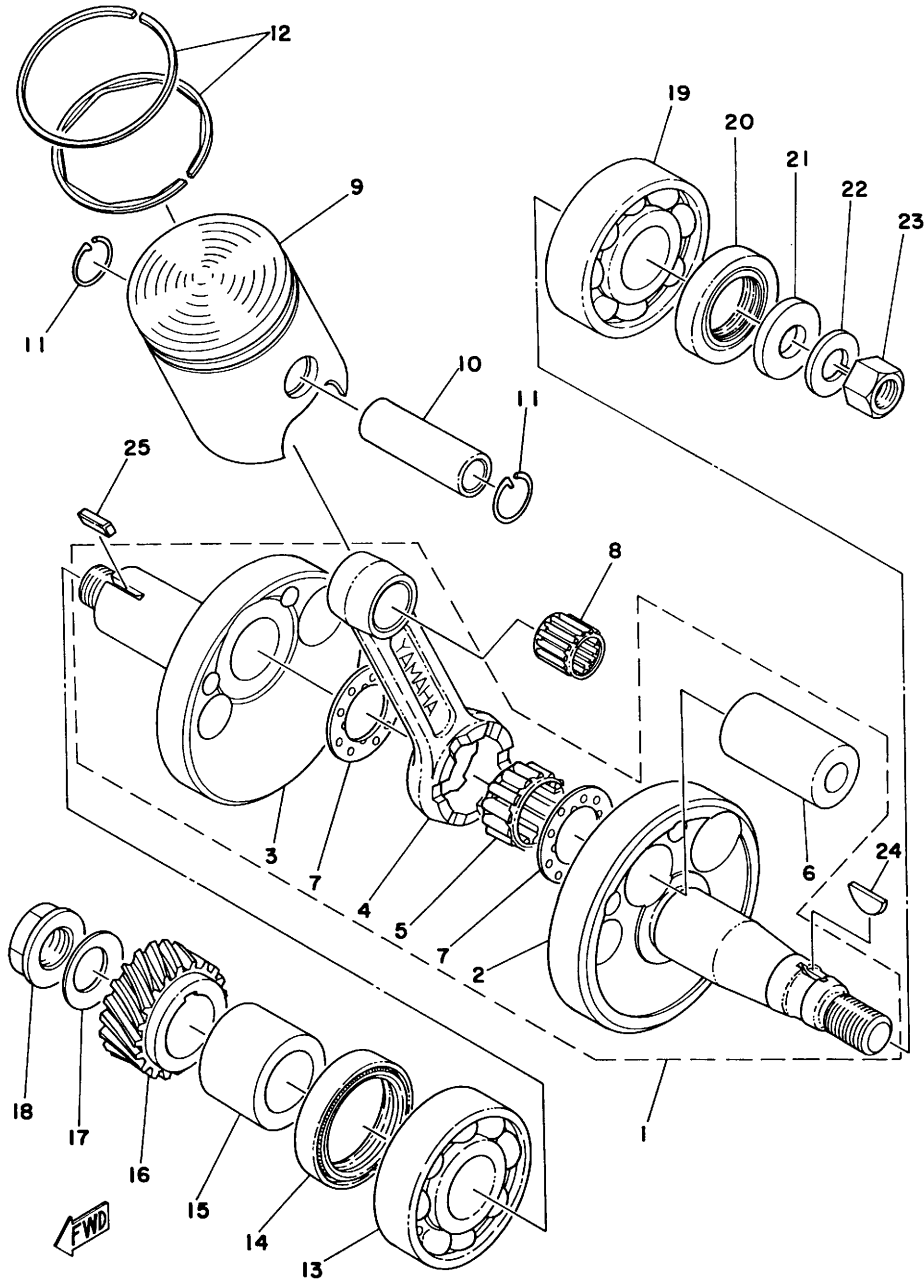
Ref. No.	Part No.	Description	Q'ty	Applicable Machine No.	Remarks
2- 1	353-15411-00-Y4	COVER, crankcase left	1		Metallic Silver
2- 2	353-15415-00-Y4	COVER, generator	1		Metallic Silver
2- 3	92501-06020	SCREW, panhead	3		
2- 4	92501-06045	SCREW, panhead	1		
2- 5	92501-06030	SCREW, panhead	3		
2- 6	353-15421-00-Y4	COVER, crankcase right	1		Metallic Silver
2- 7	353-15451-00	GASKET, crankcase cover	1		
2- 8	91830-21014	PIN, dowel (6.4-10-14)	2		
2- 9	353-15437-02	SCRAPER, oil	1		
2-10	92501-06040	SCREW, panhead	2		
2-11	92501-06030	SCREW, panhead	7		
2-12	353-15416-00-Y4	COVER, oil pump	1		Metallic Silver
2-13	92501-06025	SCREW, panhead	2		
2-14	353-15362-00	PLUG, oil level	1		
2-15	93210-21190	O-RING (2.6-20.6)	1		
2-16	353-15361-00	GAUGE, level	1		

Fig. 3 CRANK · PISTON



Ref. No.	Part No.	Description	Q'ty	Applicable Machine No.	Remarks
3- 1	538-11400-01	CRANK ASS'Y	1		
3- 2	420-11412-00	. CRANK, left	1		
3- 3	420-11422-00	. CRANK, right	1		
3- 4	538-11651-00	. ROD, connecting	1		
3- 5	93310-418E3	. BEARING, con-rod big end	1		
3- 6	257-11681-00	. PIN, crank	1		
3- 7	90209-18112	. WASHER (132-11685-00)	2		
3- 8	93310-11268	BEARING, con-rod small end	1		
3- 9	353-11631-31-96	PISTON (STD 39.96mm)	1	U.R	
	353-11631-31-98	PISTON (STD 39.98mm)			
	353-11631-31-99	PISTON (STD 39.99mm)			
	353-11635-31	PISTON (40.25mm 1st O.S)	1		Alternate Parts
	353-11636-31	PISTON (40.50mm 2nd O.S)	1		Alternate Parts
	353-11637-31	PISTON (40.75mm 3rd O.S)	1		Alternate Parts
	353-11638-31	PISTON (41.00mm 4th O.S)	1		Alternate Parts
3-10	517-11633-00	PIN, piston	1		
3-11	93450-13022	CIRCLIP (132-11634-00)	2		
3-12	260-11601-03	PISTON RING SET (STD)	1s		
	260-11601-13	PISTON RING SET (1st O.S)	1s		Alternate Parts
	260-11601-23	PISTON RING SET (2nd O.S)	1s		Alternate Parts
	260-11601-33	PISTON RING SET (3rd O.S)	1s		Alternate Parts
	260-11601-43	PISTON RING SET (4th O.S)	1s		Alternate Parts
3-13	93306-20418	BEARING (B6204CS)	1		
3-14	93103-28011	OIL SEAL (SW-28-40-8)	1		
3-15	90387-20170	COLLAR (248-16136-00)	1		
3-16	353-16111-01	GEAR, primary drive (19T)	1		
3-17	90208-12015	WASHER (164-16119-00)	1		
3-18	90179-12244	NUT	1		
3-19	93306-20418	BEARING (B6204CS)	1		

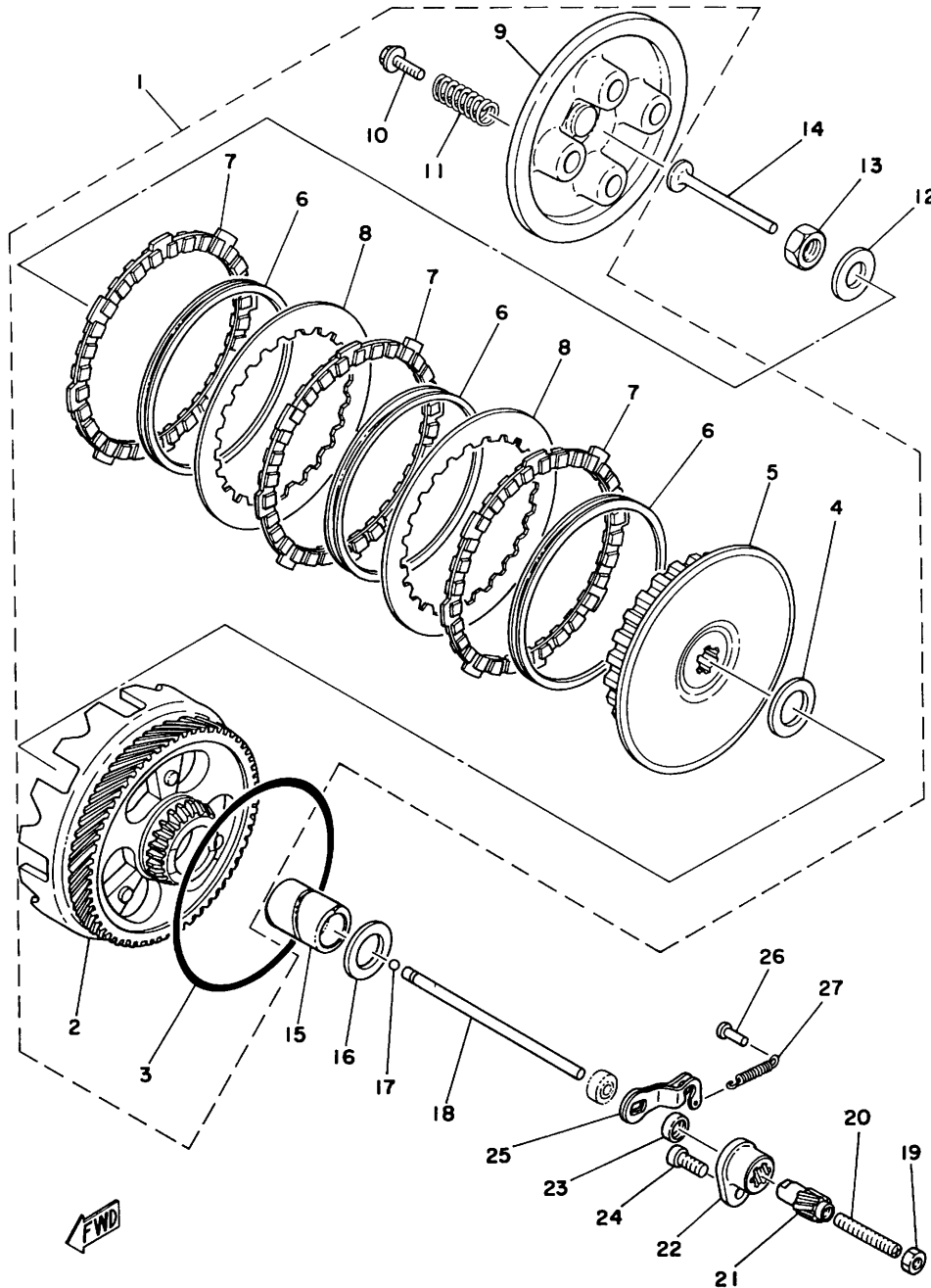
Fig. 3 CRANK · PISTON



Ref. No.	Part No.	Description	Q'ty	Applicable Machine No.	Remarks
----------	----------	-------------	------	------------------------	---------

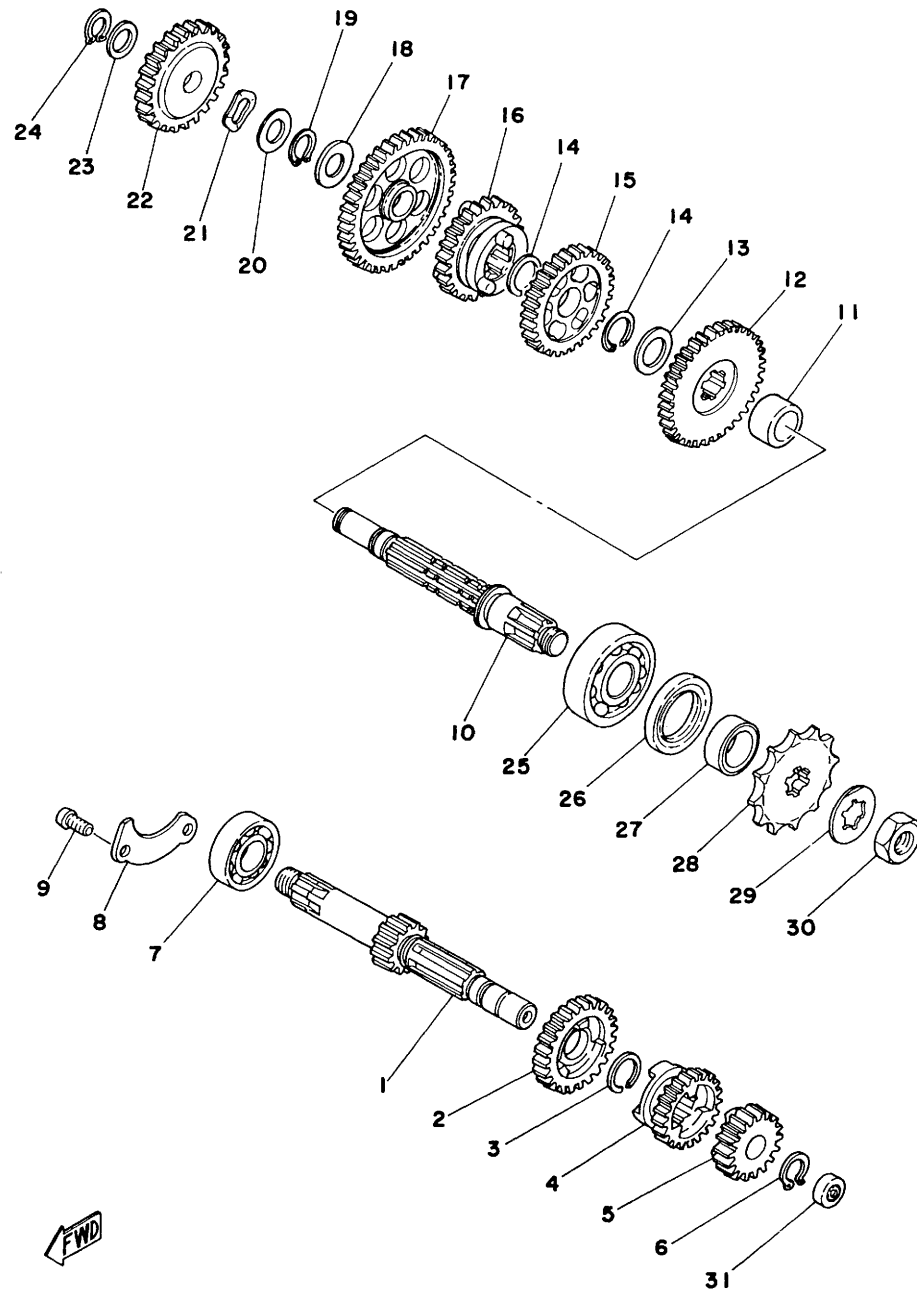
3-20	93102-20009	OIL SEAL (SD-20-35-7)	1		
3-21	90201-12535	WASHER, plate (12.2-22-3.2) . . .	1		
3-22	92901-12100	WASHER, spring	1		
3-23	90170-12175	NUT, hexagon (98801-12200) . . .	1		
3-24	90280-03017	KEY, woodruff (146-11545-00) . .	1		
3-25	90282-05005	KEY, straight (353-11546-00) . . .	1		

Fig. 4 CLUTCH



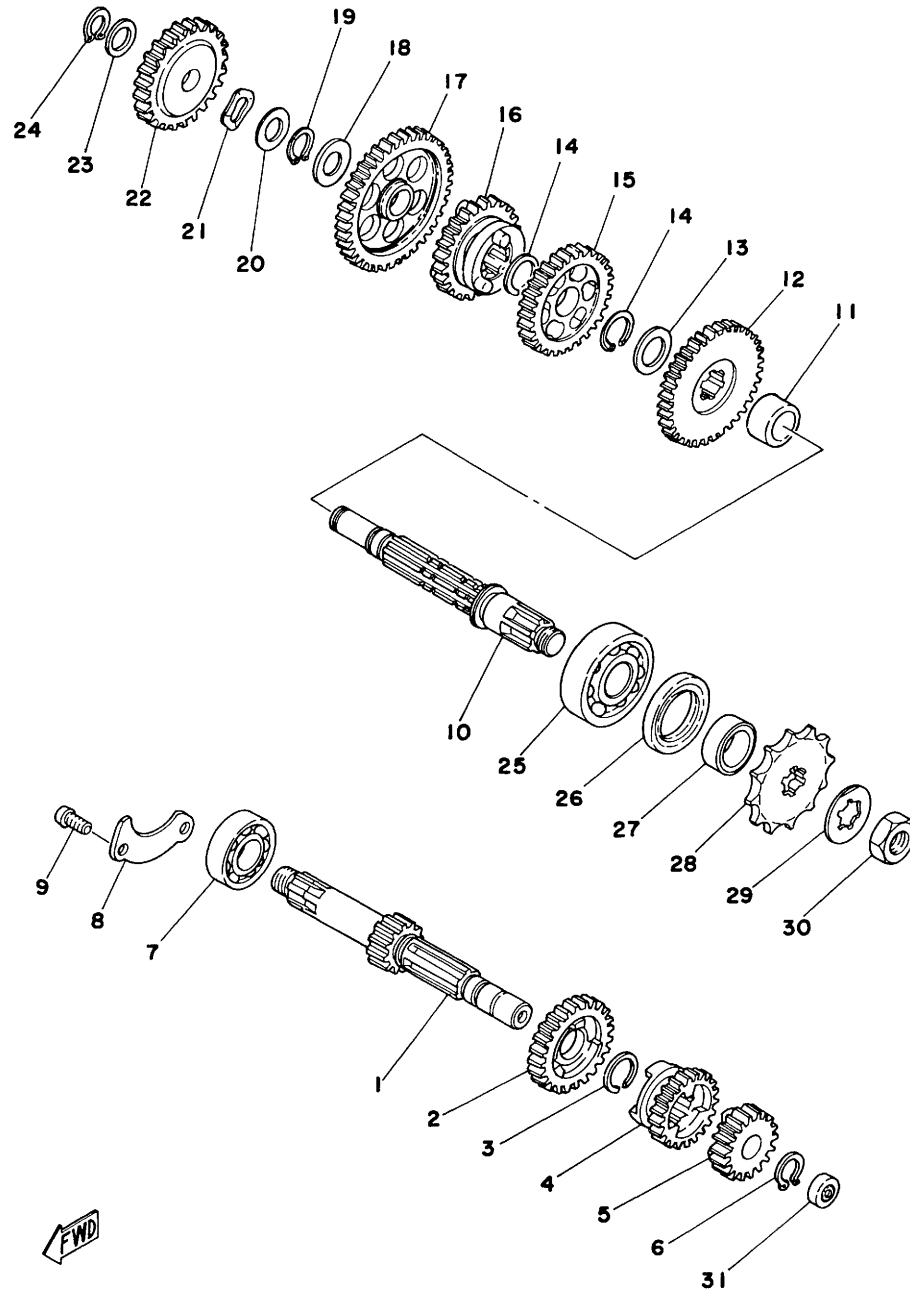
Ref. No.	Part No.	Description	Q'ty	Applicable Machine No.	Remarks
4- 1	2A3-16301-00	CLUTCH ASS'Y	1		
4- 2	2A3-16150-00	. PRIMARY DRIVEN GEAR COMP. (68T)	1		
4- 3	93210-98202	. O-RING (5.33-97.76)	1		
4- 4	122-16164-00	. PLATE, thrust (17.2-30-2)	1		
4- 5	353-16371-00	. BOSS, clutch	1		
4- 6	131-16367-00	. RING, cushion	3		
4- 7	131-16321-00	. PLATE, friction	3		
4- 8	257-16324-00	. PLATE, clutch	2		
4- 9	353-16351-00	. PLATE, pressure	1		
4-10	90119-05001	. BOLT, hexagon with washer	4		
4-11	90501-20125	. SPRING (132-16333-00)	4		
4-12	90208-12015	WASHER (164-16119-00)	1		
4-13	90170-12060	NUT, hexagon (137-16377-00)	1		
4-14	137-16356-00	ROD, push 1	1		
4-15	90560-17123	SPACER (131-16181-01)	1		
4-16	122-16164-00	PLATE, thrust (17.2-30-2)	1		
4-17	93503-16010	BALL (3/16 inch)	1		
4-18	353-16357-00	ROD, push 2	1		
4-19	95301-06700	NUT, hexagon	1		
4-20	90113-06013	BOLT, set (241-16343-00)	1		
4-21	241-16341-01	SCREW, push	1		
4-22	353-16396-00	HOUSING, push screw	1		
4-23	93104-11028	OIL SEAL (SO-10.5-15-3)	1		
4-24	92501-06015	SCREW, panhead	1		
4-25	451-16342-00	LEVER, push	1		
4-26	132-16346-00	HOOK, spring	1		
4-27	90506-07066	SPRING, tension (257-16345-00)	1		

Fig. 5 TRANSMISSION



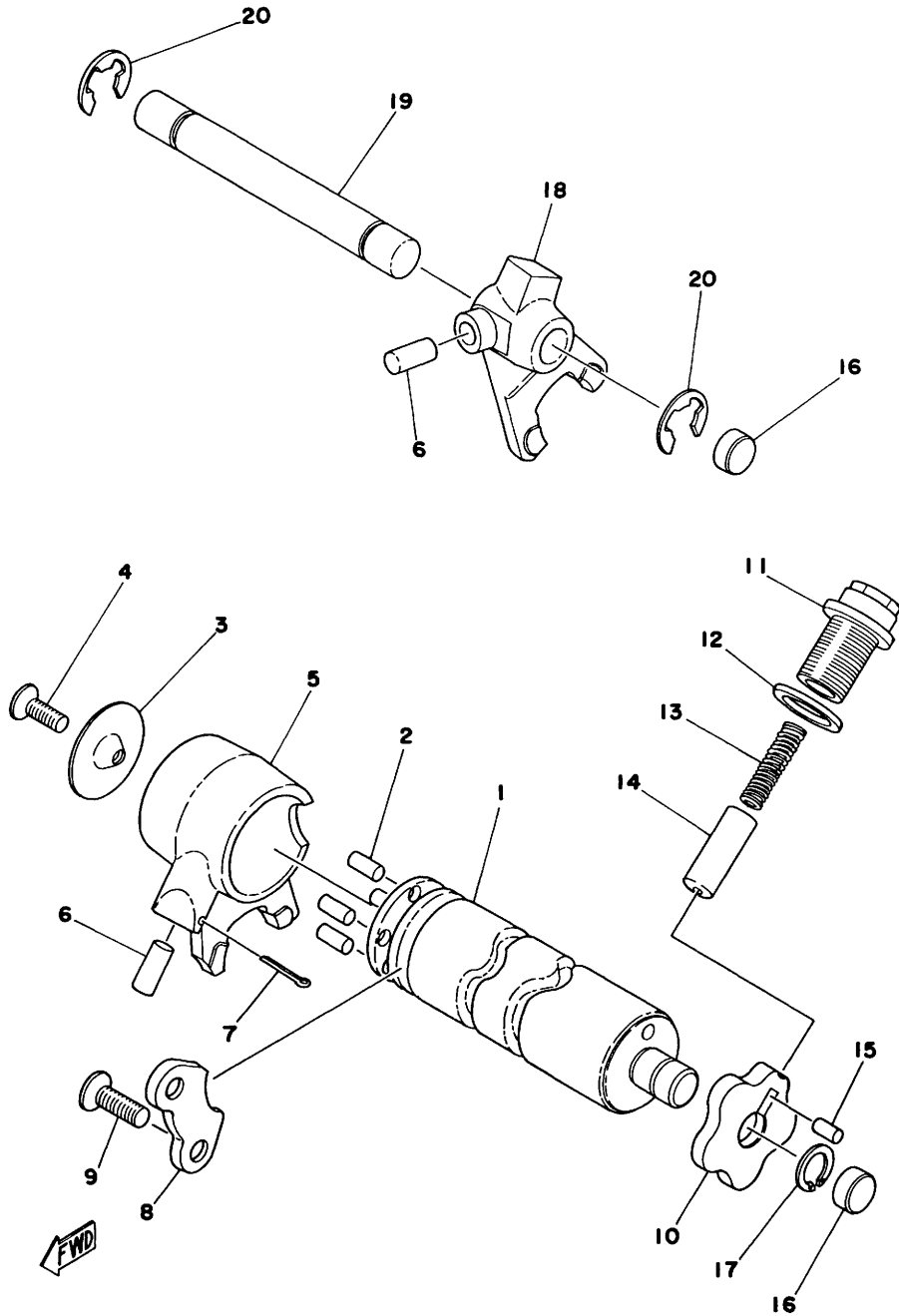
Ref. No.	Part No.	Description	Q'ty	Applicable Machine No.	Remarks
5- 1	353-17411-10	AXLE, main (12T)	1		
5- 2	353-17141-01	GEAR, 4th pinion (24T)	1		
5- 3	93440-16030	CIRCLIP (257-17414-00)	1		
5- 4	353-17131-00	GEAR, 3rd pinion (21T)	1		
5- 5	353-17121-10	GEAR, 2nd pinion (17T)	1		
5- 6	93410-13004	CIRCLIP (S-13)	1		
5- 7	93306-20303	BEARING (B6203Z)	1		
5- 8	353-17471-00	PLATE, bearing cover	1		
5- 9	92501-06012	SCREW, panhead	2		
5-10	598-17421-00	AXLE, drive	1		
5-11	90387-16126	COLLAR (367-17419-00)	1		
5-12	367-17221-00	GEAR, 2nd wheel (34T)	1		
5-13	214-17428-00-09	SHIM, drive axle	1		
5-14	93440-16030	CIRCLIP (257-17414-00)	2		
5-15	353-17231-00	GEAR, 3rd wheel (30T)	1		
5-16	353-17241-00	GEAR, 4th wheel (27T)	1		
5-17	353-17211-00	GEAR, 1st wheel (39T)	1		
5-18	257-17219-00	SHIM (13.2-24-0.6)	1		
5-19	93410-13004	CIRCLIP (S-13)	1		
5-20	90201-13202	WASHER, plate (201-15653-00)	1		
5-21	90206-15021	WASHER, wave (137-15643-00)	1		
5-22	353-15651-00	GEAR, kick idle (25T)	1		
5-23	102-18137-00-10	WASHER, change shaft	1		
5-24	93410-12003	CIRCLIP (S-12)	1		
5-25	93306-30301	BEARING (B6303)	1		
5-26	93102-25017	OIL SEAL (SD-25-40-5)	1		
5-27	90387-17137	COLLAR (257-17462-00)	1		

Fig. 5 TRANSMISSION



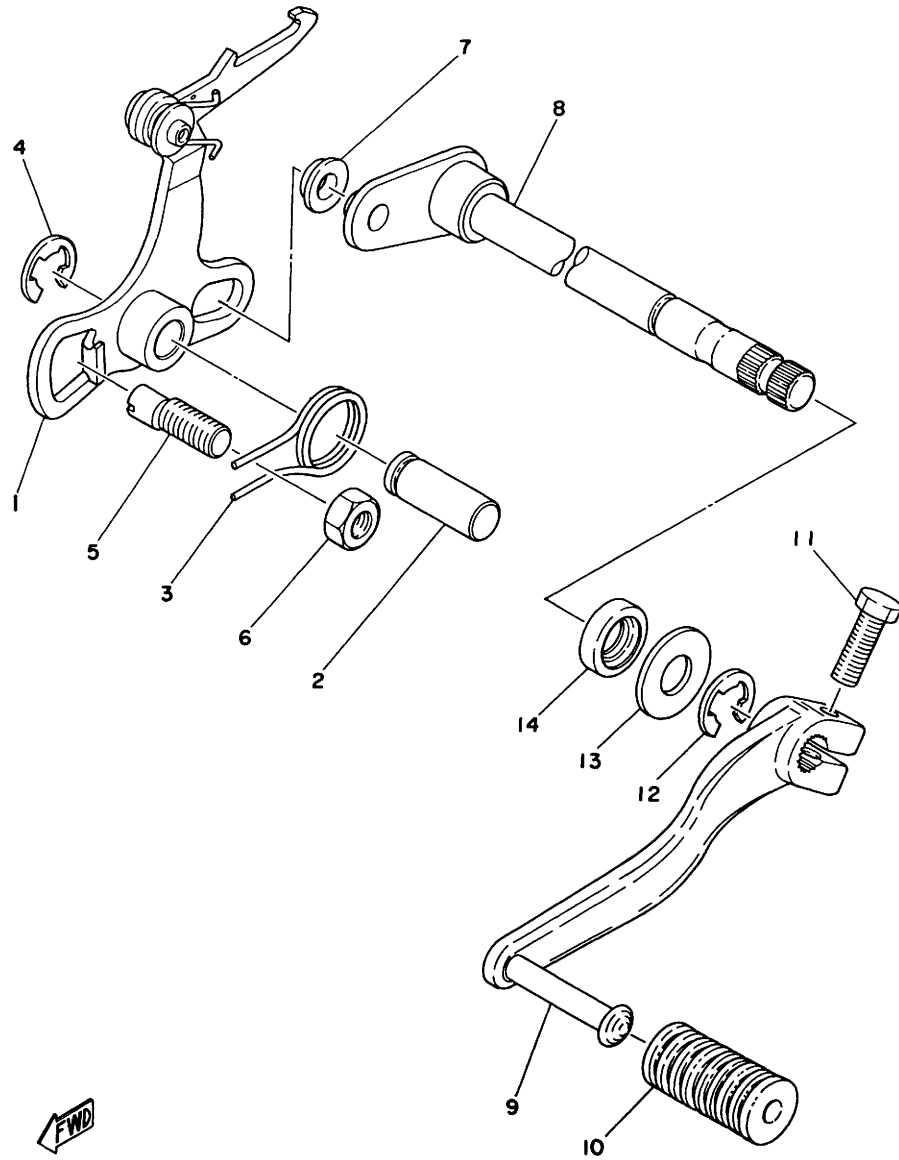
Ref. No.	Part No.	Description	Q'ty	Applicable Machine No.	Remarks
5-28	257-17461-11	SPROCKET, drive (11T)	U.R 1	STD
	257-17461-21	SPROCKET, drive (12T)		
	257-17461-31	SPROCKET, drive (13T)		
5-29	90215-13019	WASHER, lock (257-17464-00)	... 1		
5-30	90179-12181	NUT, lock 1		
5-31	257-15389-00	SEAL, push rod 1		

Fig. 6 SHIFTER 1



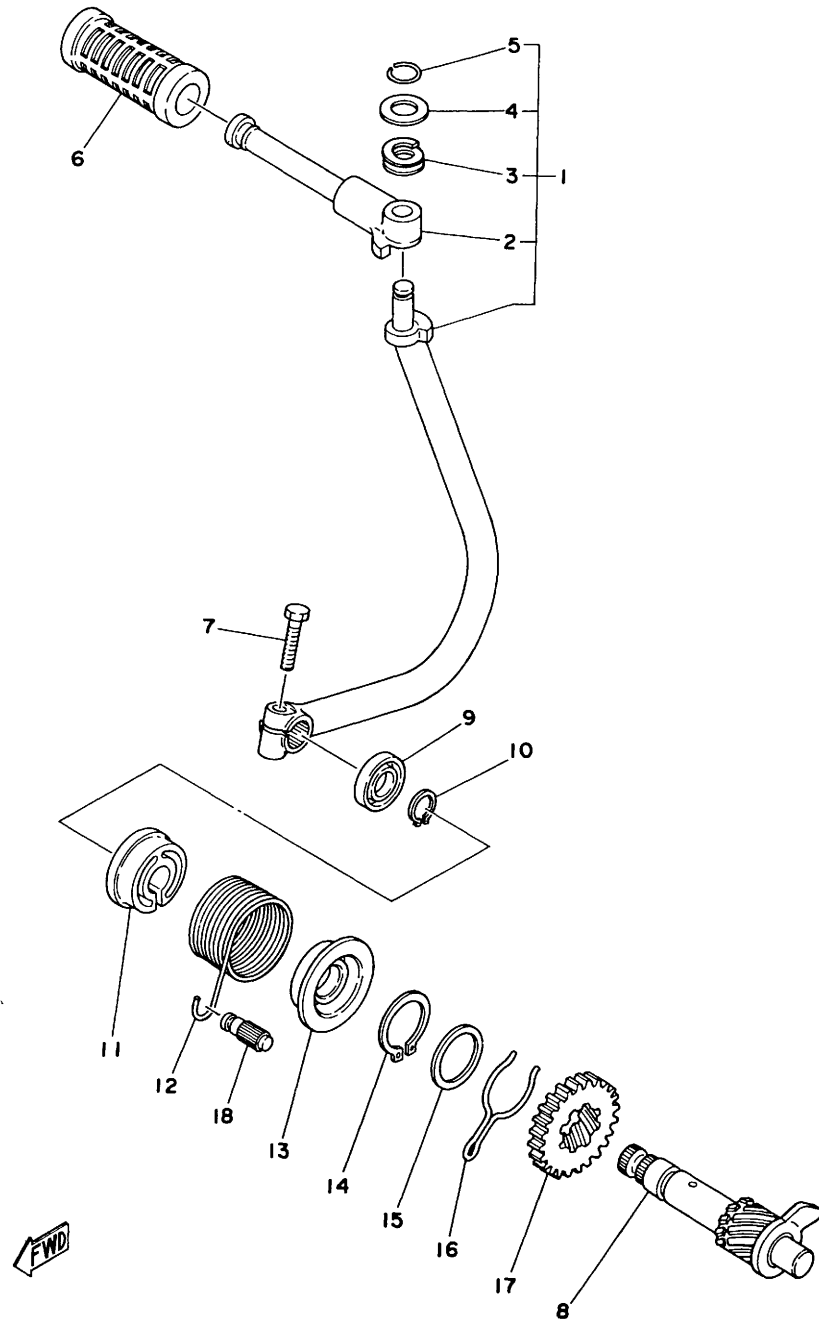
Ref. No.	Part No.	Description	Q'ty	Applicable Machine No.	Remarks
6- 1	367-18541-01	CAM, shift	1		
6- 2	93604-10011	PIN, dowel (4-10)	4		
6- 3	214-18561-00	PLATE, side	1		
6- 4	98701-05012	SCREW, flathead	1		
6- 5	353-18511-01	FORK, shift 1	1		
6- 6	93606-14081	PIN, dowel (6-14.5)	2		
6- 7	91401-25017	PIN, cotter	1		
6- 8	353-18562-00	PLATE, stopper 2	1		
6- 9	92701-06012	SCREW, flathead	2		
6-10	374-18141-00	PLATE, stopper 1	1		
6-11	90109-14485	BOLT, hexagon	1		
6-12	137-15353-00	GASKET, drain plug (14-21-15)	1		
6-13	90501-09292	SPRING, compression	1		
6-14	353-18547-00	STOPPER, cam	1		
6-15	93604-08071	PIN, dowel (4-8)	1		
6-16	90334-12009	PLUG, straight (296-15385-00)	2		
6-17	93440-12026	CIRCLIP (12 ϕ special)	1		
6-18	353-18512-01	FORK, shift 2	1		
6-19	214-18531-00	BAR, shift fork guide	1		
6-20	93430-10016	CIRCLIP (E-10)	2		

Fig.7 SHIFTER 2



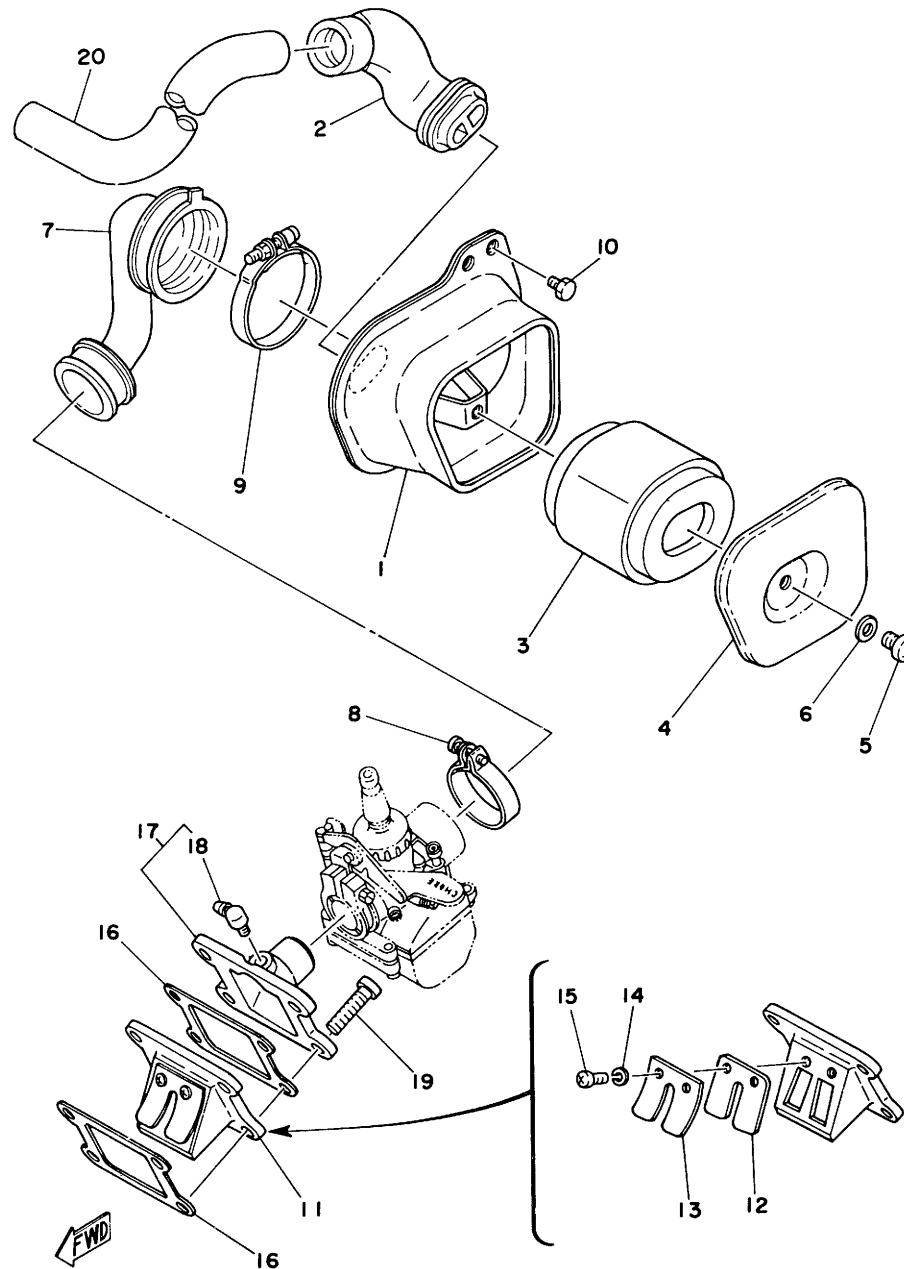
Ref. No.	Part No.	Description	Qty	Applicable Machine No.	Remarks
7- 1	353-18120-00	CHANGE LEVER ASS'Y	1		
7- 2	367-18197-00	SHAFT	1		
7- 3	90508-32054	SPRING, torsion (353-18124-00)	1		
7- 4	93430-10016	CIRCLIP (E-10)	1		
7- 5	90149-08094	SCREW, adjusting	1		
7- 6	95301-08600	NUT, hexagon	1		
7- 7	214-18178-00	ROLLER, change lever	1		
7- 8	353-18101-00	CHANGE SHAFT ASS'Y	1		
7- 9	353-18111-00-93	PEDAL, change	1		
7-10	132-18113-01	COVER, change pedal	1		
7-11	97321-06020	BOLT, hexagon	1		
7-12	93430-10016	CIRCLIP (E-10)	1		
7-13	90201-12575	WASHER, plate (12.1-25.8-1.6)	1		
7-14	93101-12004	OIL SEAL (S-12-22-5)	1		

Fig. 8 KICK STARTER



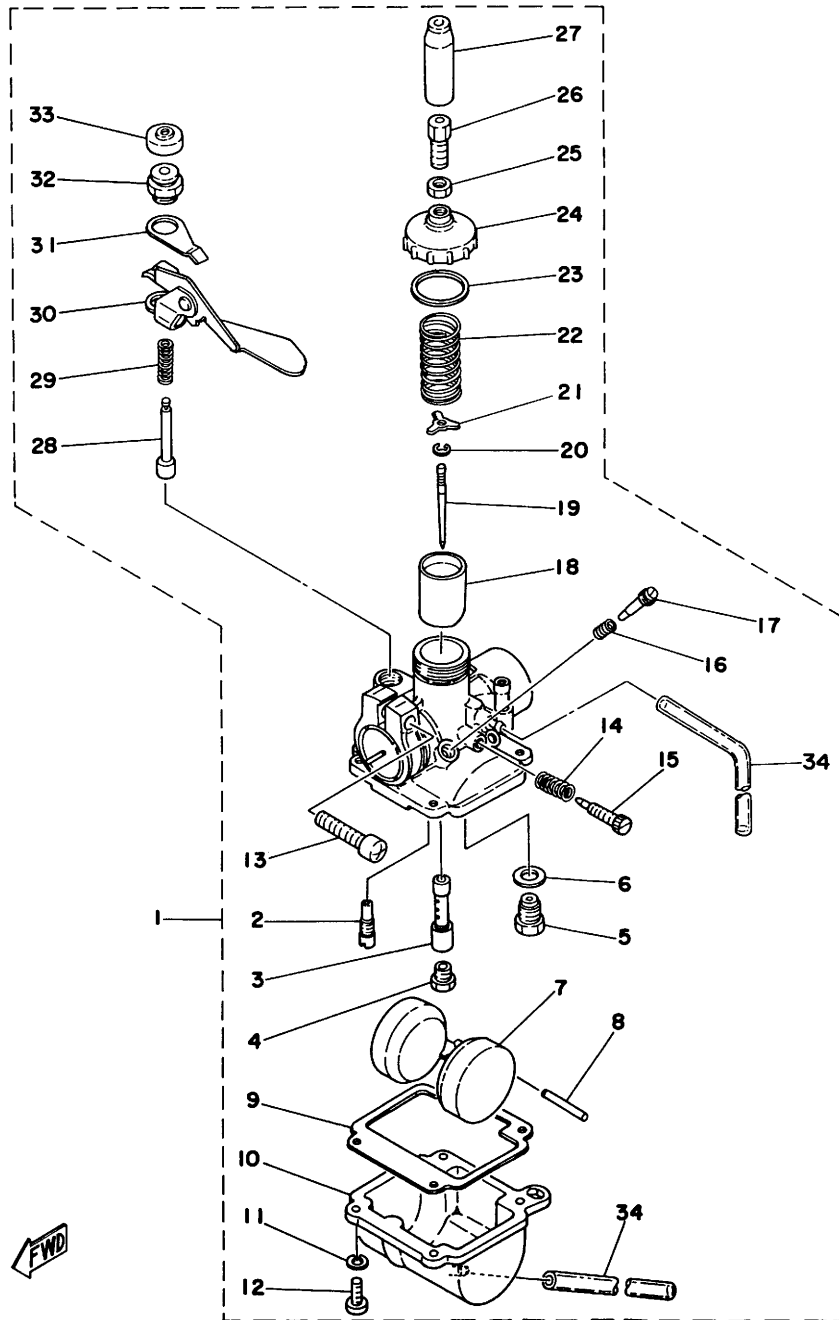
Ref. No.	Part No.	Description	Q'ty	Applicable Machine No.	Remarks
8- 1	1G4-15610-01-91	KICK CRANK ASS'Y	1		
8- 2	2M4-15612-00	. LEVER, kick	1		
8- 3	90504-18005	. SPRING (132-15625-01)	1		
8- 4	90209-10108	. WASHER (132-15616-01)	1		
8- 5	93440-10028	. CIRCLIP (132-15617-00)	1		
8- 6	156-15618-01	COVER, kick lever	1		
8- 7	97311-06025	BOLT, hexagon	1		
8- 8	353-15660-02	KICK AXLE ASS'Y	1		
8- 9	93109-15001	OIL SEAL (SDO-15-26-6)	1		
8-10	93410-15005	CIRCLIP (S-15)	1		
8-11	132-15676-01	COVER, kick spring	1		
8-12	90508-29323	SPRING, torsion	1		
8-13	132-15664-01	GUIDE, kick spring	1		
8-14	93410-25017	CIRCLIP (S-25)	1		
8-15	117-15644-00	SHIM (25.1-32-1)	1		
8-16	90468-26038	CIRCLIP (353-15687-00)	1		
8-17	353-15641-00	GEAR, kick (26T)	1		
8-18	248-15668-00	STOPPER, kick spring	1		

Fig.9 INTAKE



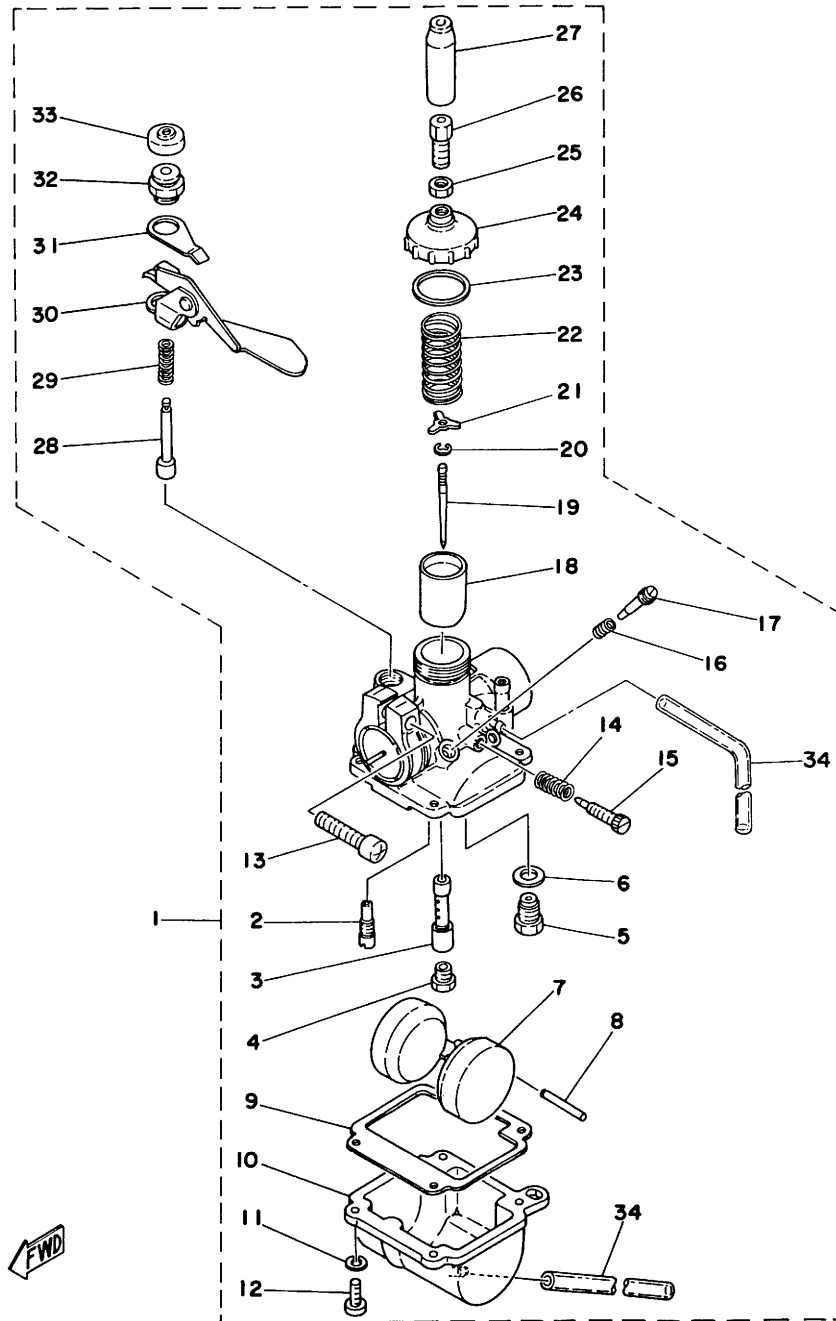
Ref. No.	Part No.	Description	Q'ty	Applicable Machine No.	Remarks
9- 1	1G3-14411-01	CASE, air cleaner	1		
9- 2	1G5-14454-00	JOINT, suction pipe	1		
9- 3	367-14451-01	ELEMENT, air cleaner	1		
9- 4	538-14412-01	CAP, cleaner case	1		
9- 5	92501-06010	SCREW, panhead	1		
9- 6	92901-06200	WASHER, plain	1		
9- 7	1G5-14453-01	JOINT, air cleaner	1		
9- 8	90460-33087	CLAMP, hose	1		
9- 9	90460-49034	CLAMP, hose	1		
9-10	97301-06010	BOLT, hexagon	2		
9-11	353-13610-01	REED VALVE ASS'Y	1		
9-12	314-13613-00	. VALVE, reed	1		
9-13	314-13616-01	. STOPPER, reed valve	1		
9-14	92901-03100	. WASHER, spring	2		
9-15	98512-03008	. SCREW, panhead	2		
9-16	353-13621-00	PACKING, valve seat	2		
9-17	1G5-13505-00	JOINT COMP.	1		
9-18	278-13552-02	. NOZZLE	1		
9-19	92501-06020	SCREW, panhead	4		
9-20	90445-22310	HOSE (18-360)	1		

Fig. 10 CARBURETOR



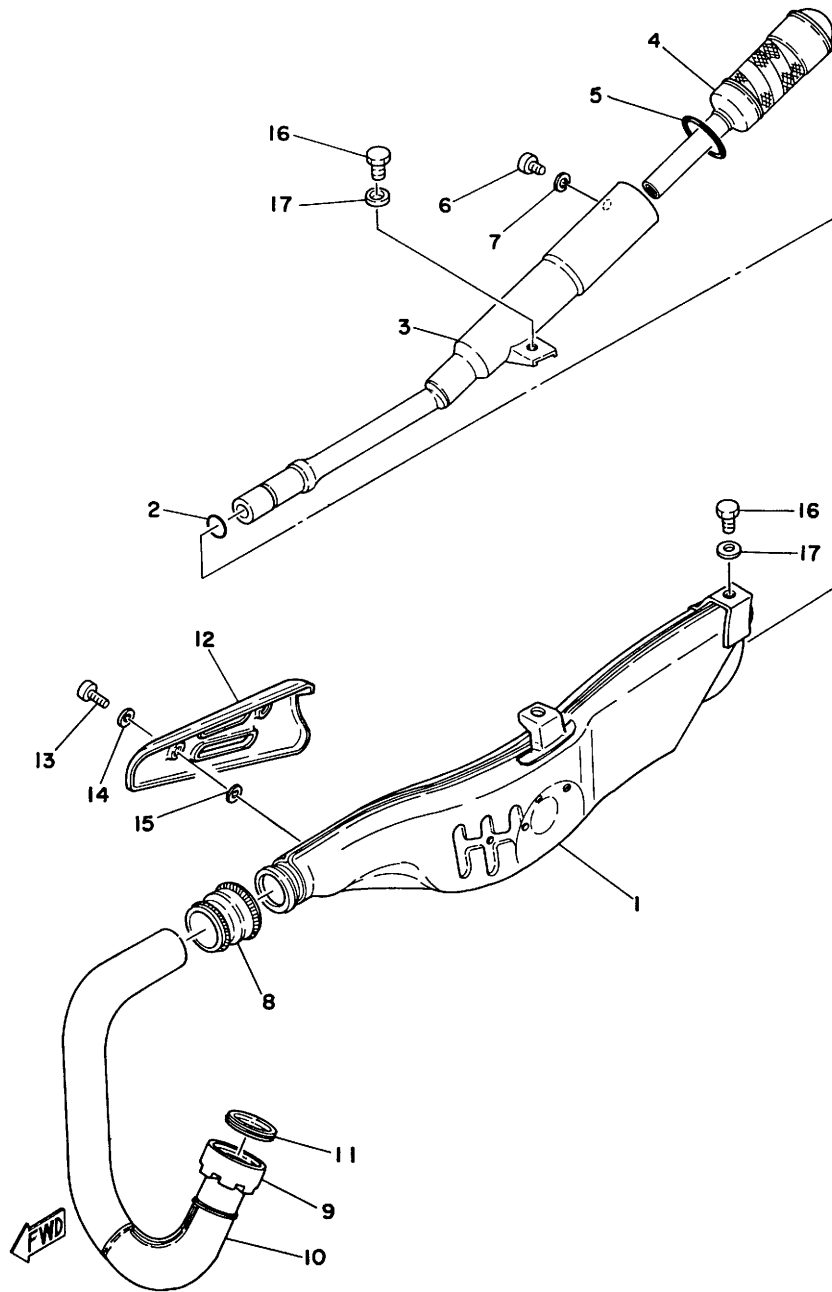
Ref. No.	Part No.	Description	Q'ty	Applicable Machine No.	Remarks
10- 1	1X7-14301-00	CARBURETOR ASS'Y	1		
10- 2	367-14342-17	. JET, pilot (#34)	1		
10- 3	288-14341-03	. NOZZLE, main	1		
10- 4	288-14343-40	. JET, main (#80)	1	U. R	STD
	288-14343-41	. JET, main (#82)			
	288-14343-42	. JET, main (#84)			
10- 5	367-14390-14	. VALVE SEAT ASS'Y (#1.4)	1		
10- 6	367-14195-00	. WASHER, valve seat	1		
10- 7	1G5-14385-00	. FLOAT	1		
10- 8	367-14386-00	. PIN, float	1		
10- 9	1G5-14384-00	. GASKET, float chamber	1		
10-10	1G5-14381-25	. BODY, float chamber	1		
10-11	92901-04100	. WASHER, spring	4		
10-12	98503-04010	. SCREW, panhead	4		
10-13	97801-06025	. SCREW, panhead	1		
10-14	646-14212-01	. SPRING, pilot adjusting	1		
10-15	646-14211-02	. SCREW, pilot adjusting	1		
10-16	367-14337-00	. SPRING, air adjusting	1		
10-17	367-14323-00	. SCREW, air adjusting	1		
10-18	1G5-14312-05	. VALVE, throttle (#0.5)	1		
10-19	1G3-14336-00	. NEEDLE (059-2/5)	1		
10-20	288-14137-00	. CLIP	1		
10-21	367-14136-02	. SEAT, spring	1		
10-22	367-14331-00	. SPRING, throttle valve	1		
10-23	367-14126-00	. PACKING	1		
10-24	367-14168-00	. CAP, mixing chamber	1		
10-25	288-14161-00	. NUT, wire adjusting	1		
10-26	288-14124-00	. SCREW, wire adjusting	1		
10-27	367-14169-00	. CAP	1		

Fig. 10 CARBURETOR



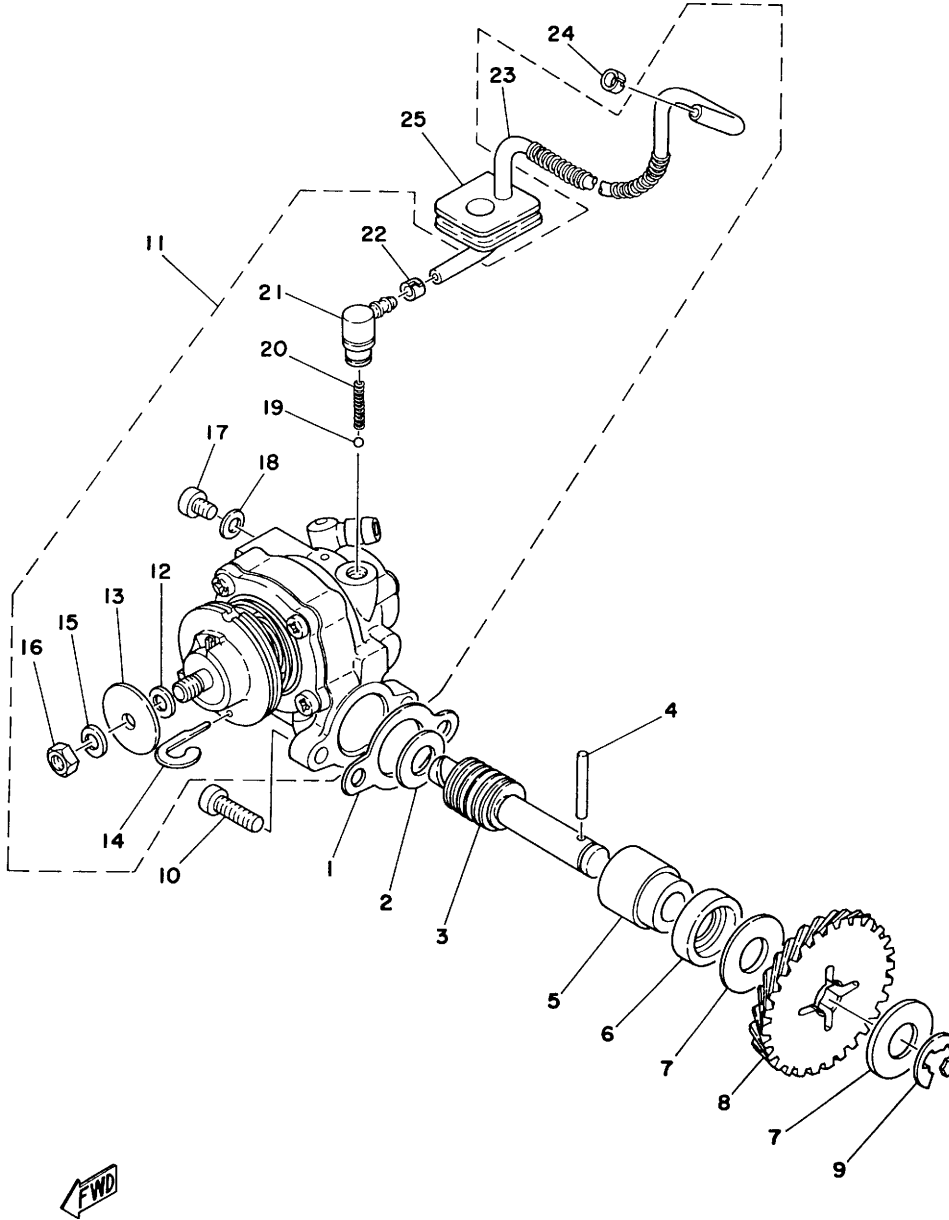
Ref. No.	Part No.	Description	Qty	Applicable Machine No.	Remarks
10-28	367-14371-00	. PLUNGER, starter	1		
10-29	367-14335-00	. SPRING, plunger	1		
10-30	367-14375-01	. LEVER, starter	1		
10-31	367-14377-00	. STOPPER	1		
10-32	367-14374-00	. CAP, plunger	1		
10-33	367-14373-00	. COVER, plunger cap	1		
10-34	367-14396-00	. PIPE, overflow (3-190)	2		

Fig. 11 EXHAUST



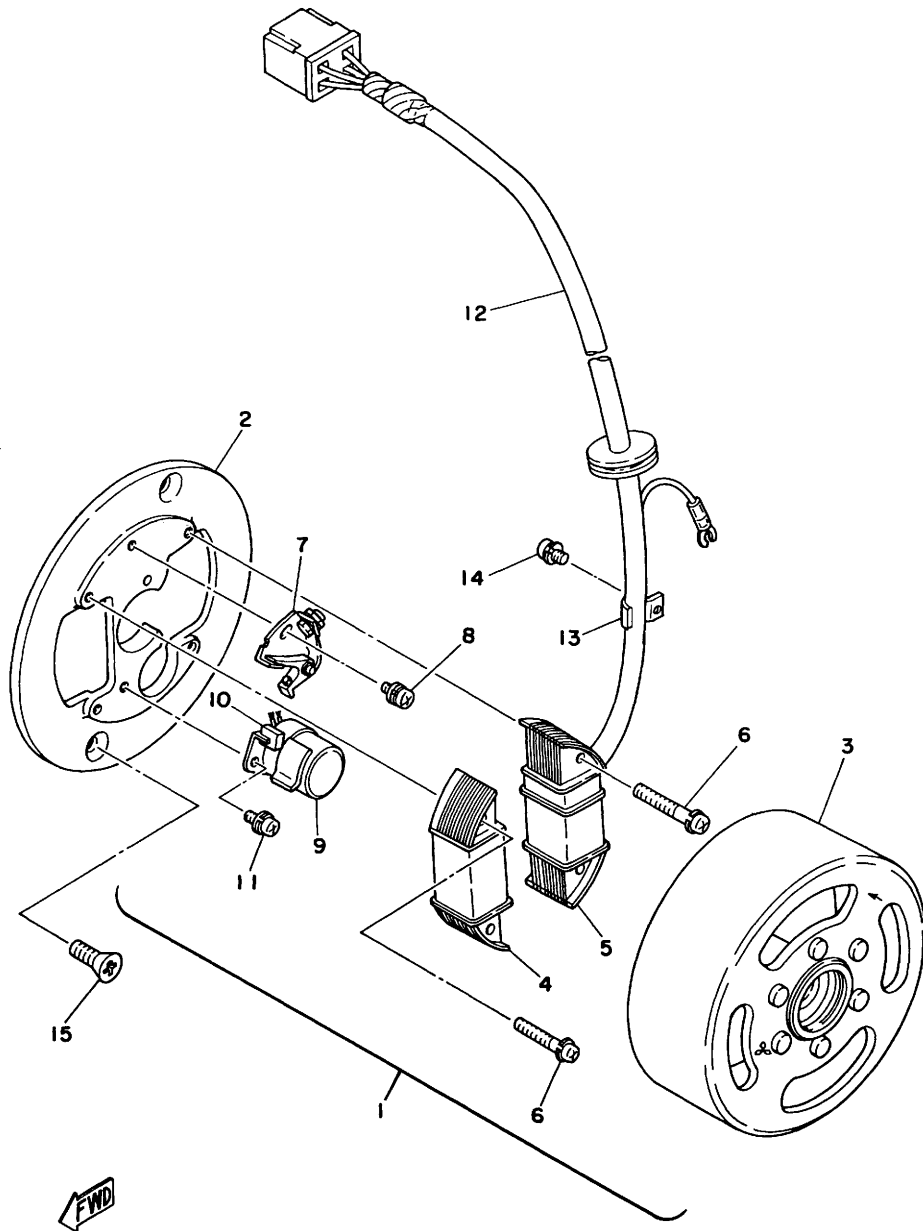
Ref. No.	Part No.	Description	Q'ty	Applicable Machine No.	Remarks
11- 1	2M6-14711-00	MUFFLER	1		
11- 2	93210-16290	O-RING (3.1-16.0)	1		
11- 3	538-14753-01	SILENCER	1		
11- 4	1G3-14752-01	PIPE, outlet	1		
11- 5	93210-31264	O-RING (3.5-30.7)	1		
11- 6	92501-06010	SCREW, panhead	1		
11- 7	92901-06100	WASHER, spring	1		
11- 8	1X7-14615-00	JOINT, exhaust	1		
11- 9	1L4-14612-00	NUT, ring	1		
11-10	1X7-14611-00	PIPE, exhaust	1		
11-11	132-14613-00	GASKET, exhaust pipe	1		
11-12	2M4-14718-00-R4	PROTECTOR, muffler	1		
11-13	98906-06010	SCREW, bind	2		
11-14	90202-06010	WASHER, plate (178-14766-00) ..	2		
11-15	90202-05005	WASHER, plate (214-14766-00) ..	2		
11-16	97301-08016	BOLT, hexagon	3		
11-17	92901-08600	WASHER, plate	3		

Fig. 12 OIL PUMP



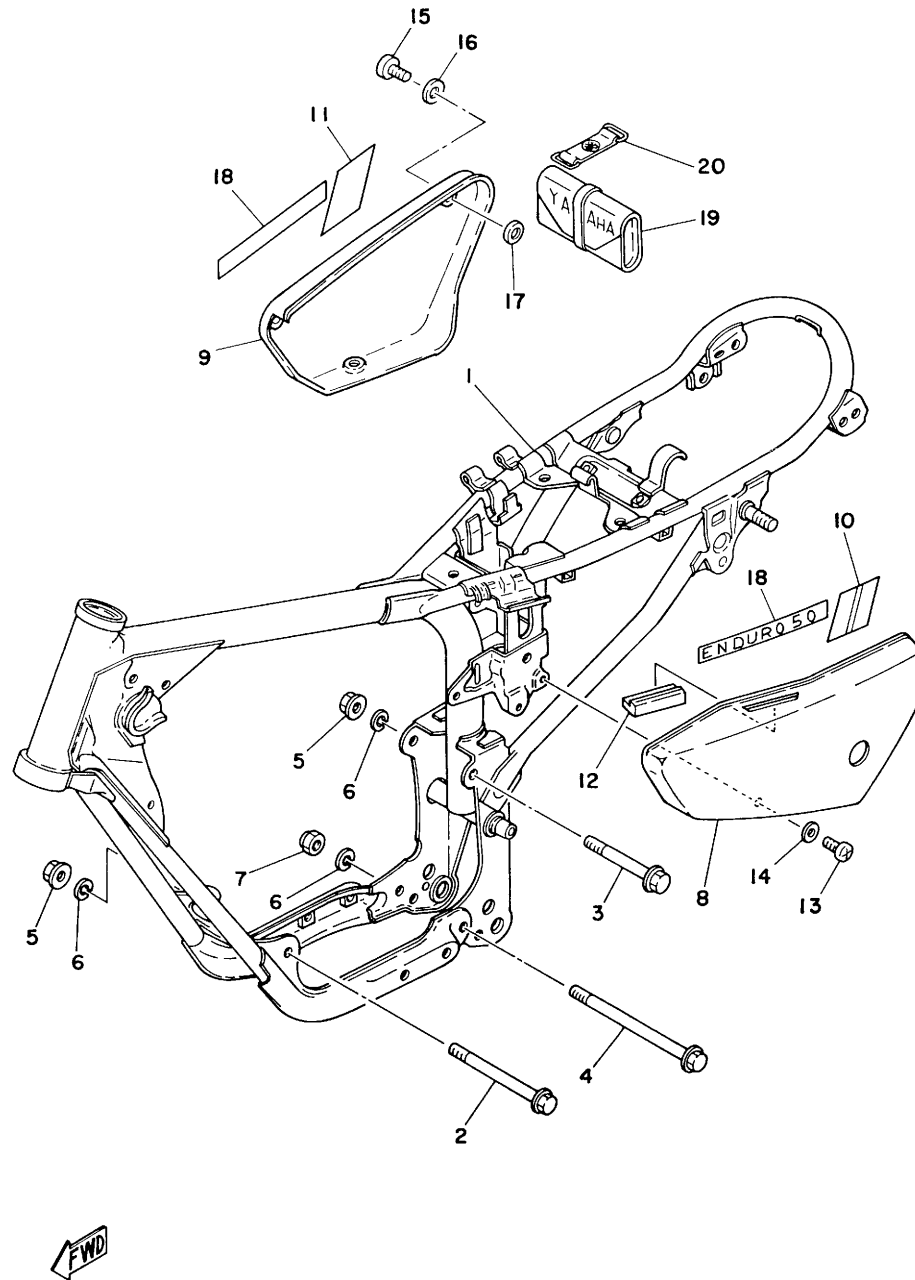
Ref. No.	Part No.	Description	Q'ty	Applicable Machine No.	Remarks
12- 1	126-13116-00	GASKET, pump case	1		
12- 2	90201-08624	WASHER, plate (8.2-11-1.0)	1		
12- 3	257-13175-00	SHAFT, worm	1		
12- 4	93603-22028	PIN, dowel (3-22)	1		
12- 5	1E7-13176-00	METAL, worm shaft outer	1		
12- 6	93101-10001	OIL SEAL (S-10-21-5)	1		
12- 7	90201-10135	WASHER, plate (102-18138-00)	2		
12- 8	353-13178-00	GEAR, drive (28T)	1		
12- 9	93430-08006	CIRCLIP (E-8)	1		
12-10	98501-05016	SCREW, panhead	2		
12-11	1K8-13101-01	OIL PUMP ASS'Y	1		
12-12	137-13137-00-03	. SHIM, plunger (5.8-10-0.3)	1	U.R	
	137-13137-00-05	. SHIM, plunger (5.8-10-0.5)			
	137-13137-00-10	. SHIM, plunger (5.8-10-1.0)			
12-13	137-13138-01	. PLATE, starter	1		
12-14	367-13146-01	. COVER	1		
12-15	92901-05100	. WASHER, spring	1		
12-16	95301-05600	. NUT, hexagon	1		
12-17	98901-04008	. SCREW, bind	1		
12-18	90430-04004	. GASKET (137-13187-00)	1		
12-19	93505-32002	. BALL (5/32 inch)	1		
12-20	90501-02217	. SPRING, check ball	1		
12-21	353-13552-01	. NOZZLE	1		
12-22	90468-02033	. CLIP (214-13164-00)	1		
12-23	90445-05217	. HOSE (353-13161-00)	1		
12-24	90468-02033	CLIP (214-13164-00)	1		
12-25	248-13174-00	HOLDER, oil pipe	1		

Fig. 13 FLYWHEEL MAGNETO



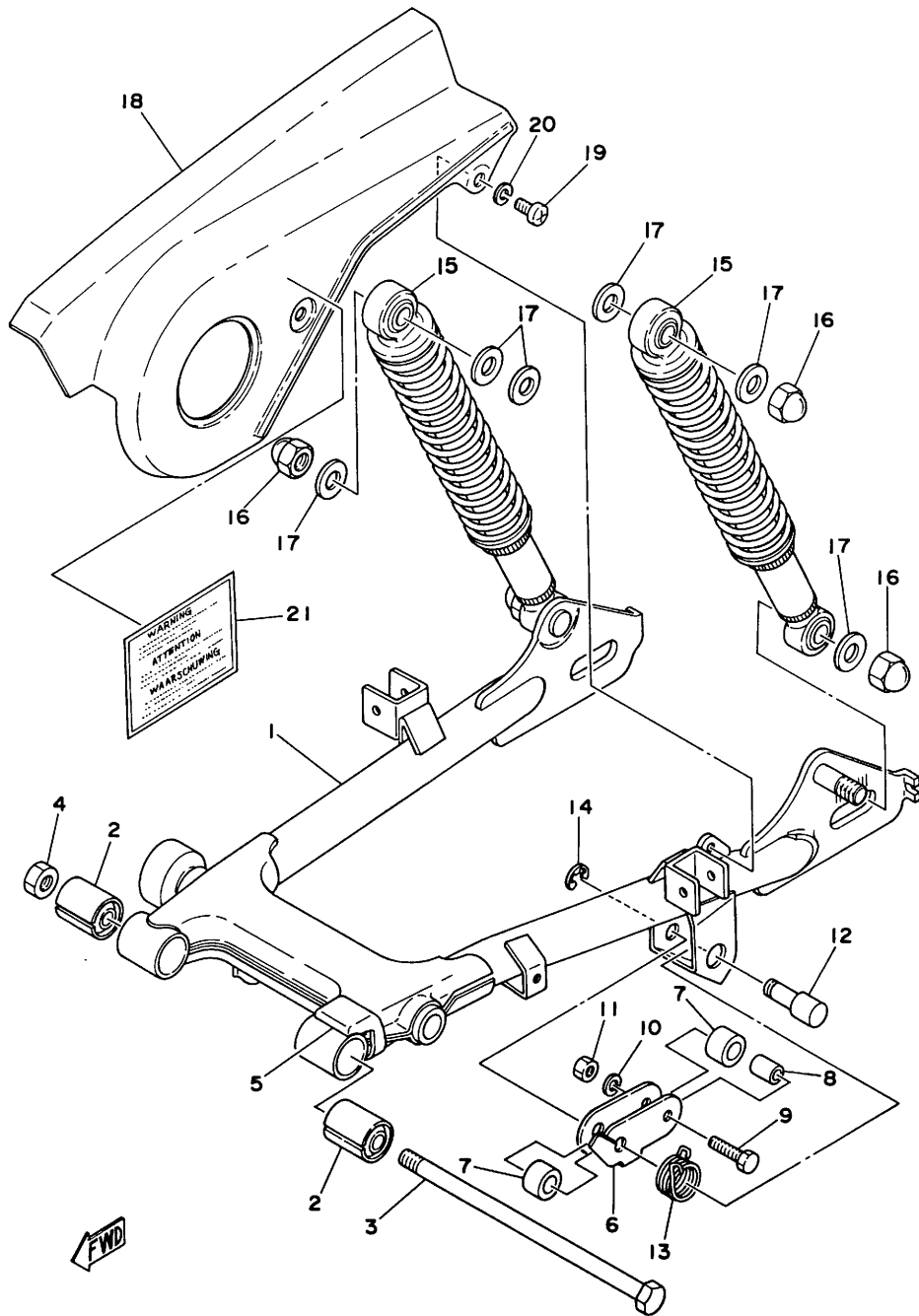
Ref. No.	Part No.	Description	Q'ty	Applicable Machine No.	Remarks
13- 1	2M4-81300-20	FLYWHEEL MAGNETO ASS'Y	1		
13- 2	520-81309-20	. BASE, magneto	1		
13- 3	2M4-81350-20	. ROTOR ASS'Y	1		
13- 4	2M4-81312-20	. COIL, source	1		
13- 5	2M4-81313-20	. COIL, lighting	1		
13- 6	110-81348-21	. SCREW, panhead (4-25)	4		
13- 7	2A6-81321-20	. CONTACT BREAKER ASS'Y	1		
13- 8	110-81347-21	. SCREW, panhead (4-10)	1		
13- 9	1K8-81325-20	. CONDENSER	1		
13-10	116-81331-20	. LUBRICATOR	1		
13-11	110-81346-21	. SCREW, panhead (4-10)	1		
13-12	2M4-81315-20	. LEAD WIRE ASS'Y	1		
13-13	104-81328-20	. CLAMP, lead	1		
13-14	110-81345-21	. SCREW, panhead (4-6)	1		
13-15	98701-05015	SCREW, flathead	2		

Fig. 14 FRAME · SIDE COVER



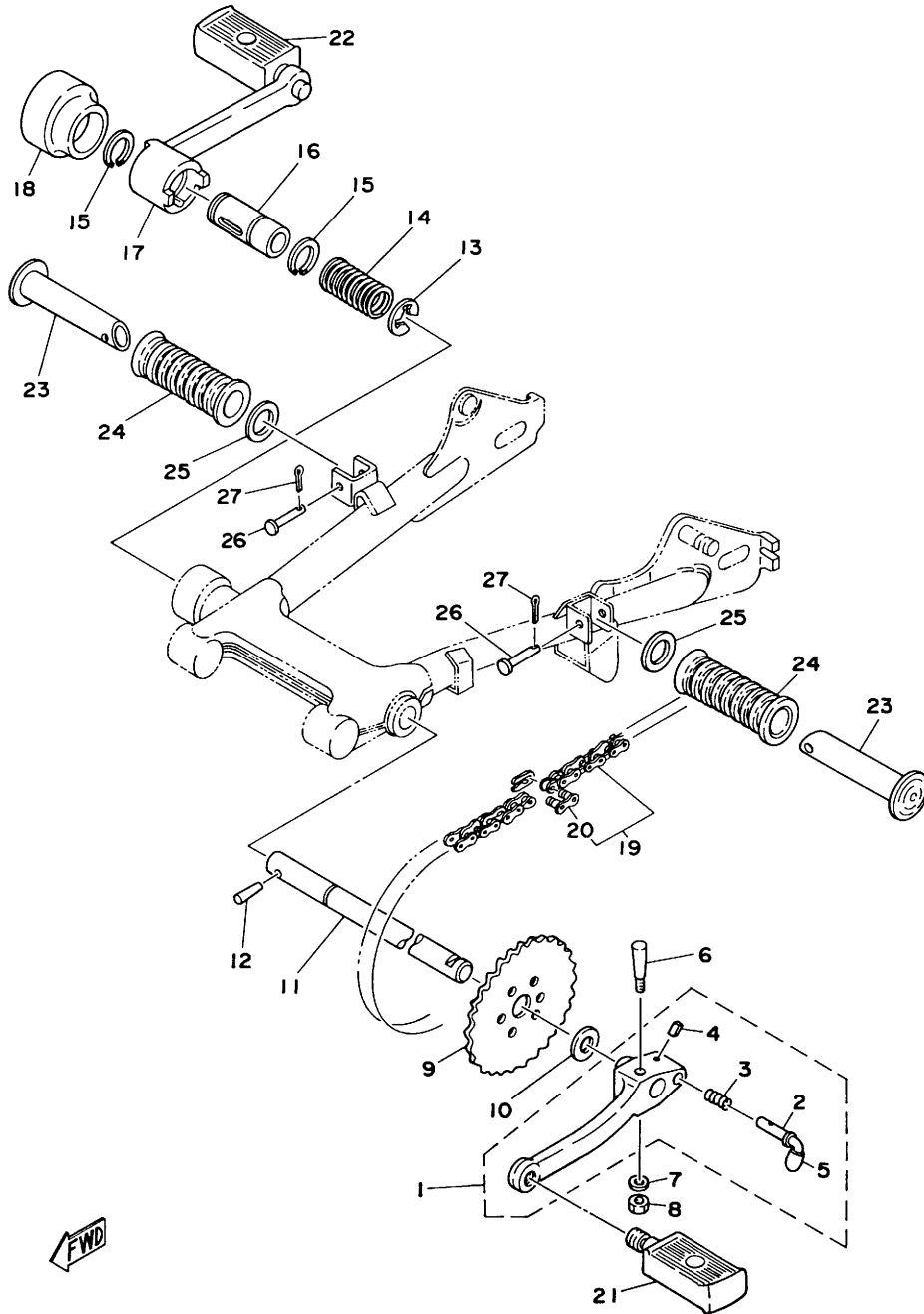
Ref. No.	Parts No.	Description	Qty	Applicable Machine No.	Remarks
14- 1	2M6-21110-00-33	FRAME COMP.	1		Yamaha Black
14- 2	95821-08120	BOLT, flange	1		
14- 3	95821-08090	BOLT, flange	1		
14- 4	95811-08135	BOLT, flange	1		
14- 5	95701-08100	NUT, flange	2		
14- 6	92901-08100	WASHER, spring	3		
14- 7	95601-08100	NUT, U	1		
14- 8	2E7-21711-10	COVER, side left	1		Clean White
	2M4-21711-10	COVER, side left	1		Sunshine Red
	2M4-21711-20	COVER, side left	1		Yamaha Black
14- 9	2M4-21721-00-36	COVER, side right	1		Clean White
	2M4-21721-00-66	COVER, side right	1		Sunshine Red
	2M4-21721-00-33	COVER, side right	1		Yamaha Black
14-10	2M4-21783-00	EMBLEM, side cover left	1		Clean White
	2M4-21783-10	EMBLEM, side cover left	1		Sunshine Red
	2M4-21783-20	EMBLEM, side cover left	1		Yamaha Black
14-11	2M4-21784-00	EMBLEM, side cover right	1		Clean White
	2M4-21784-10	EMBLEM, side cover right	1		Sunshine Red
	2M4-21784-20	EMBLEM, side cover right	1		Yamaha Black
14-12	2M4-21717-00	DAMPER, side cover	1		
14-13	92501-06015	SCREW, panhead	1		
14-14	90201-06067	WASHER, plate (6.5-20-1.6) ...	1		
14-15	98901-06010	SCREW, bind	3		
14-16	90202-06010	WASHER, plate	3		
14-17	90202-05005	WASHER, plate	3		
14-18	2M4-21787-10	EMBLEM, enduro	2		Clean White for Sunshine Red
	2M4-21787-20	EMBLEM, enduro	2		for Yamaha Black
14-19	353-28100-11	TOOL ASS'Y	1		
14-20	288-21376-00	BAND, tool	1		

Fig. 15 REAR ARM · REAR CUSHION · CHAIN CASE



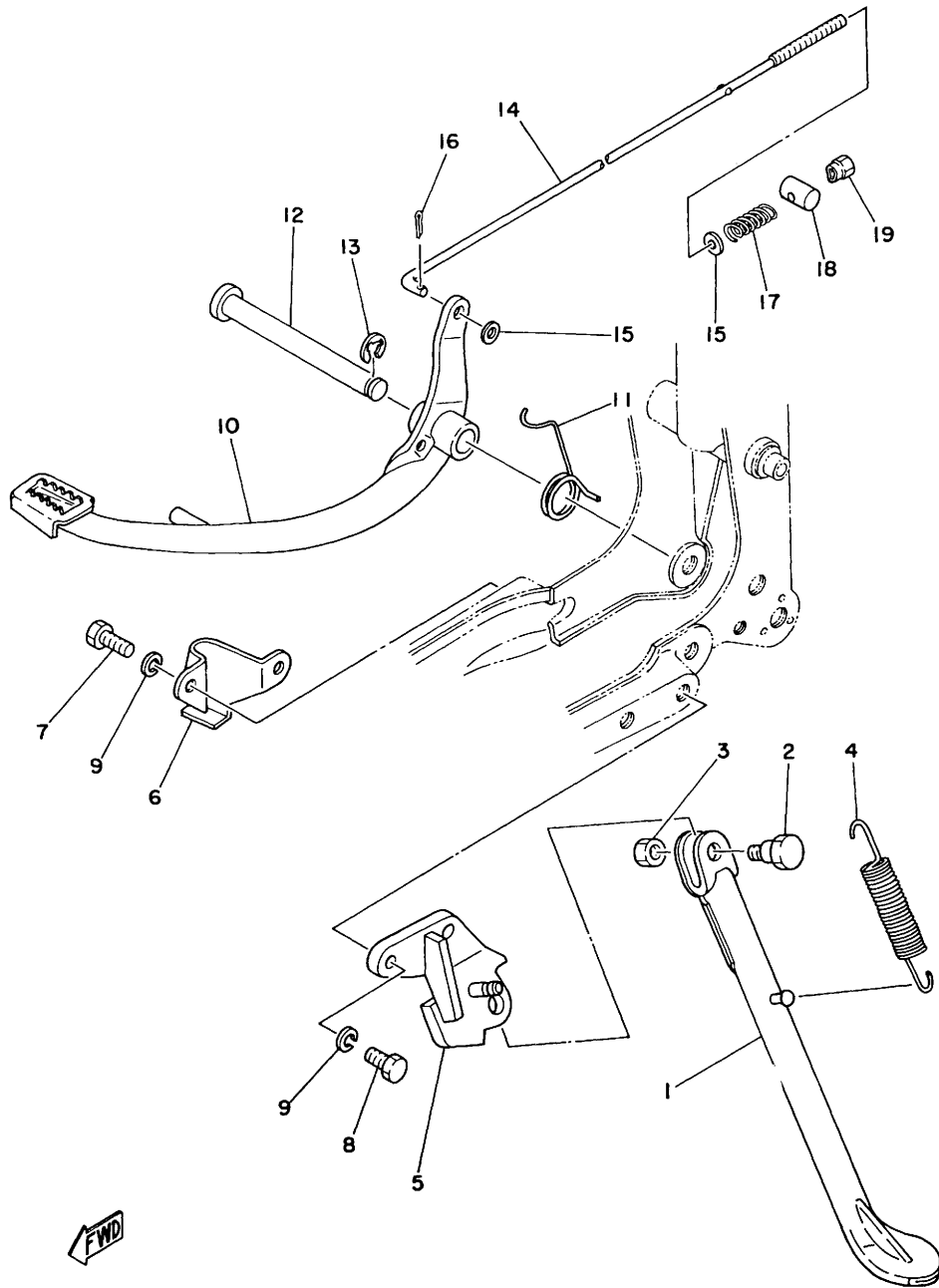
Ref. No.	Part No.	Description	Q'ty	Applicable Machine No.	Remarks
15- 1	2J7-22110-00-33	REAR ARM COMP.	1		Yamaha Black
15- 2	102-22123-00	BUSHING, rear arm	2		
15- 3	288-22141-00	SHAFT, pivot	1		
15- 4	95301-10600	NUT, hexagon	1		
15- 5	183-22151-00	SEAL, guard	1		
15- 6	550-22179-00	ARM, tensioner	1		
15- 7	550-22178-00	TENSIONER	2		
15- 8	90387-06268	COLLAR (6.5-8.9-15)	1		
15- 9	97301-06025	BOLT, hexagon	1		
15-10	92901-06100	WASHER, spring	1		
15-11	95301-06700	NUT, hexagon	1		
15-12	1F1-22122-00	SHAFT, tensioner	1		
15-13	90508-20300	SPRING, tension	1		
15-14	93430-08006	CIRCLIP (E-8)	1		
15-15	354-22210-20	REAR CUSHION ASS'Y	2		
15-16	95304-12800	NUT, hexagon	4		
15-17	90201-12175	WASHER, plate (122-22244-00)	7		
15-18	1G7-22311-00-35	CHAIN CASE	1		Silver
15-19	92501-06008	SCREW, panhead	2		
15-20	92901-06100	WASHER, spring	2		
15-21	470-15435-00	EMBLEM, chain case	1		

Fig.16 CRANK PEDAL · FOOTREST



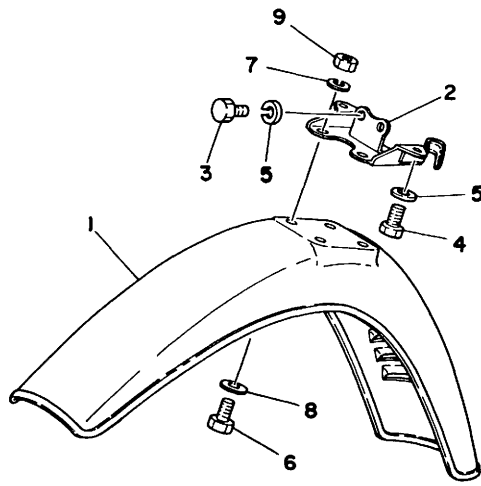
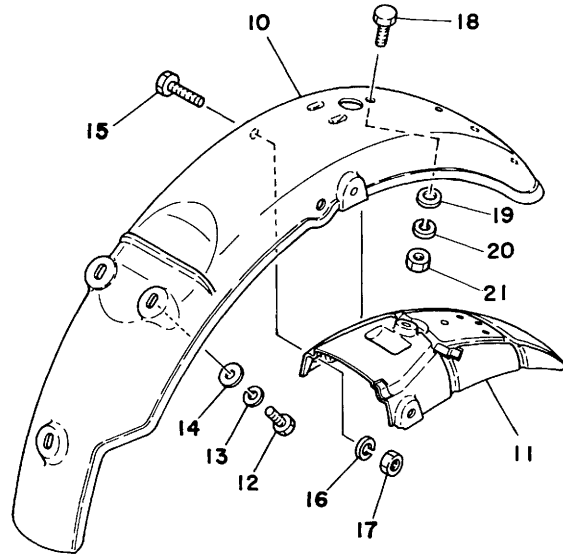
Ref. No.	Part No.	Description	Q'ty	Applicable Machine No.	Remarks
16- 1	1F1-27810-00	CRANK ASS'Y, pedal left	1		
16- 2	1F1-27815-00	. LEVER, crank pedal	1		
16- 3	90501-08460	. SPRING, compression	1		
16- 4	91609-30014	. PIN, spring	1		
16- 5	283-17496-00	. KNOB, transmission change	1		
16- 6	90249-06005	PIN (210-27813-00)	1		
16- 7	92901-06600	WASHER, plate	1		
16- 8	95301-06600	NUT, hexagon	1		
16- 9	1F1-27828-00	GEAR, sprocket pedal (28T)	1		
16-10	92901-16200	WASHER, plain	1		
16-11	1G7-27812-00	AXLE, pedal	1		
16-12	90251-07001	PIN, taper (283-27827-00)	1		
16-13	93430-15023	CIRCLIP (E-15)	1		
16-14	90501-20132	SPRING, compression (283-27825-00)	1		
16-15	93440-25019	CIRCLIP (25φ special)	2		
16-16	283-27824-00	PIPE, shaft	1		
16-17	283-27821-00	PEDAL, crank right	1		
16-18	283-27826-00	COVER, pedal crank	1		
16-19	94504-10078	CHAIN (DK410-78L)	1		
16-20	94604-10001	. JOINT, chain	1		
16-21	1F1-27850-00	PEDAL ASS'Y, left	1		
16-22	1F1-27860-00	PEDAL ASS'Y, right	1		
16-23	120-27431-00	FOOTREST, rear	2		
16-24	120-27433-00	COVER, rear footrest	2		
16-25	90201-20279	WASHER, plate (20.5-32-2.0)	2		
16-26	91701-06032	PIN, clevis	2		
16-27	91401-16012	PIN, cotter	2		

Fig. 17 STAND · BRAKE PEDAL



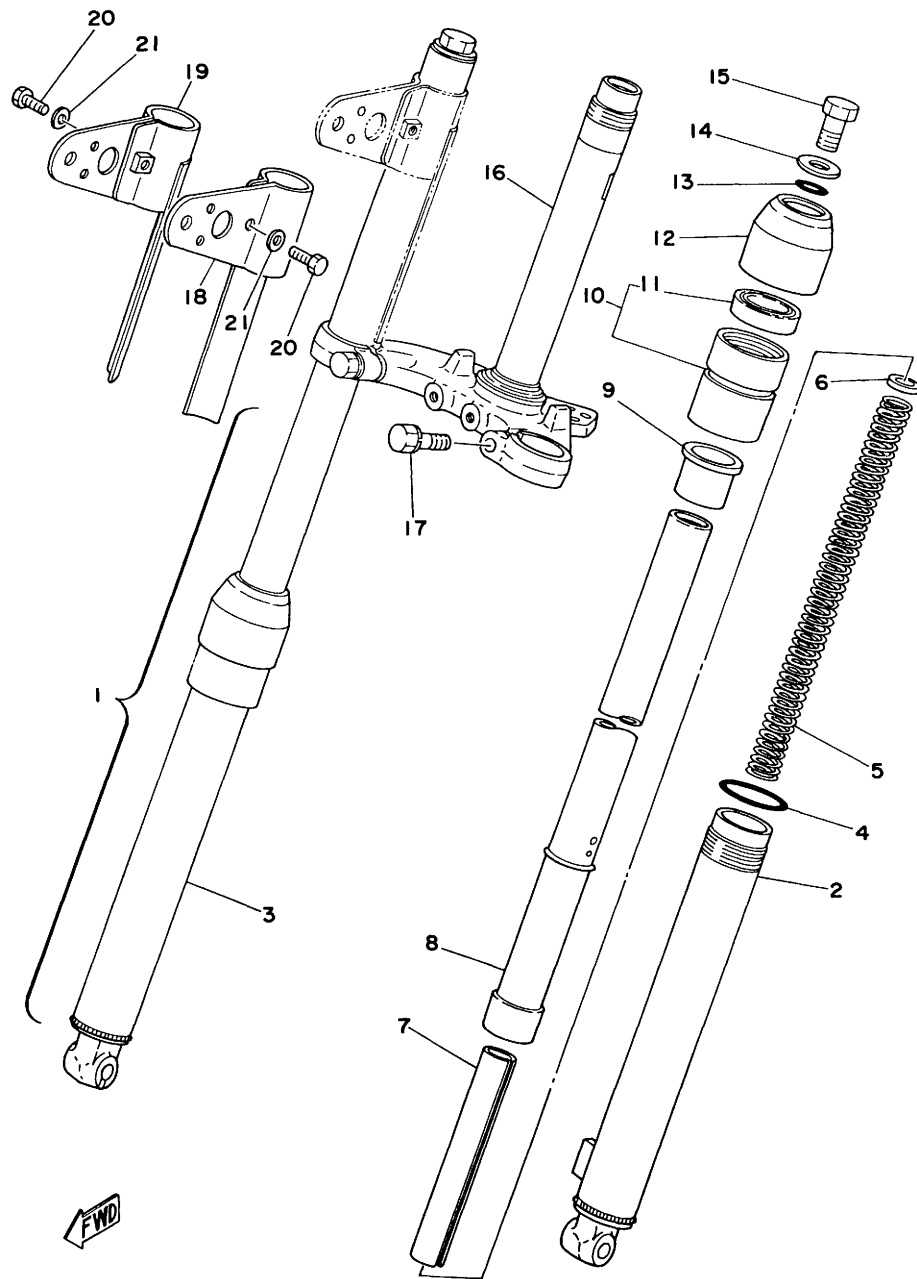
Ref. No.	Part No.	Description	Q'ty	Applicable Machine No.	Remarks
17- 1	2J7-27311-00-33	STAND, side	1		Yamaha Black
17- 2	90109-08031	BOLT (137-27317-00)	1		
17- 3	95301-08700	NUT, hexagon	1		
17- 4	90506-25047	SPRING, tension (150-27316-00)	1		
17- 5	2J7-27321-00-33	BRACKET, side stand	1		Yamaha Black
17- 6	2M5-27314-00	STOPPER	1		
17- 7	97301-08020	BOLT, hexagon	1		
17- 8	97301-08016	BOLT, hexagon	1		
17- 9	92901-08100	WASHER, spring	2		
17-10	1G7-27211-01-33	PEDAL, brake	1		Yamaha Black
17-11	90508-32056	SPRING (183-27216-00)	1		
17-12	2A3-27212-00	SHAFT, brake	1		
17-13	93430-12008	CIRCLIP (E-12)	1		
17-14	195-27231-02	ROD, brake	1		
17-15	92901-06200	WASHER, plate	2		
17-16	91401-20012	PIN, cotter	1		
17-17	90501-10245	SPRING (180-27236-00)	1		
17-18	90249-12008	PIN (156-27237-00)	1		
17-19	90179-06176	NUT, hexagon	1		

Fig. 18 FRONT FENDER · REAR FENDER



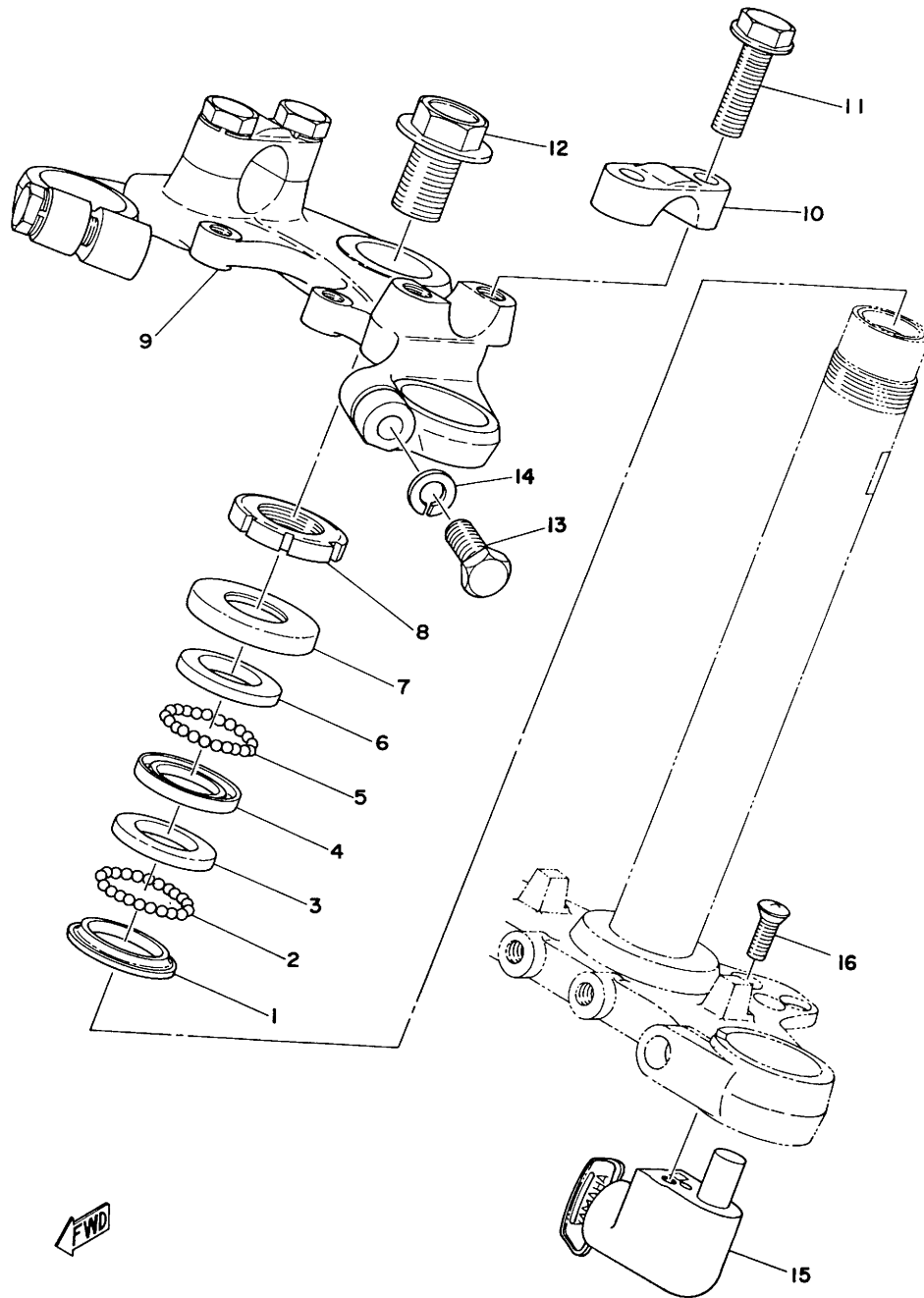
Ref. No.	Part No.	Description	Q'ty	Applicable Machine No.	Remarks
18- 1	2M6-21511-30	FENDER, front	1		Clean White
	2M6-21511-40	FENDER, front	1		Sunshine Red
	2M6-21511-50	FENDER, front	1		Yamaha Black
18- 2	1T9-21513-00	STAY, fender	1		
18- 3	97301-06012	BOLT, hexagon	2		
18- 4	97301-06010	BOLT, hexagon	2		
18- 5	92901-06100	WASHER, spring	4		
18- 6	97301-06014	BOLT, hexagon	4		
18- 7	92901-06100	WASHER, spring	4		
18- 8	90201-06067	WASHER, plate (6.5-20-1.6)	4		
18- 9	95301-06600	NUT, hexagon	4		
18-10	2M6-21611-20	FENDER, rear	1		Clean White
18-11	2J9-21617-00	BRACKET, fender	1		
18-12	97301-06016	BOLT, hexagon	3		
18-13	92901-06100	WASHER, spring	3		
18-14	90201-06067	WASHER, plate (6.5-20-1.6)	3		
18-15	97301-08040	BOLT, hexagon	2		
18-16	92901-08100	WASHER, spring	2		
18-17	95301-08600	NUT, hexagon	2		
18-18	97303-06020	BOLT, hexagon	1		
18-19	92903-06200	WASHER, plain	1		
18-20	92901-06100	WASHER, spring	1		
18-21	95301-06600	NUT, hexagon	1		

Fig. 19 FRONT FORK



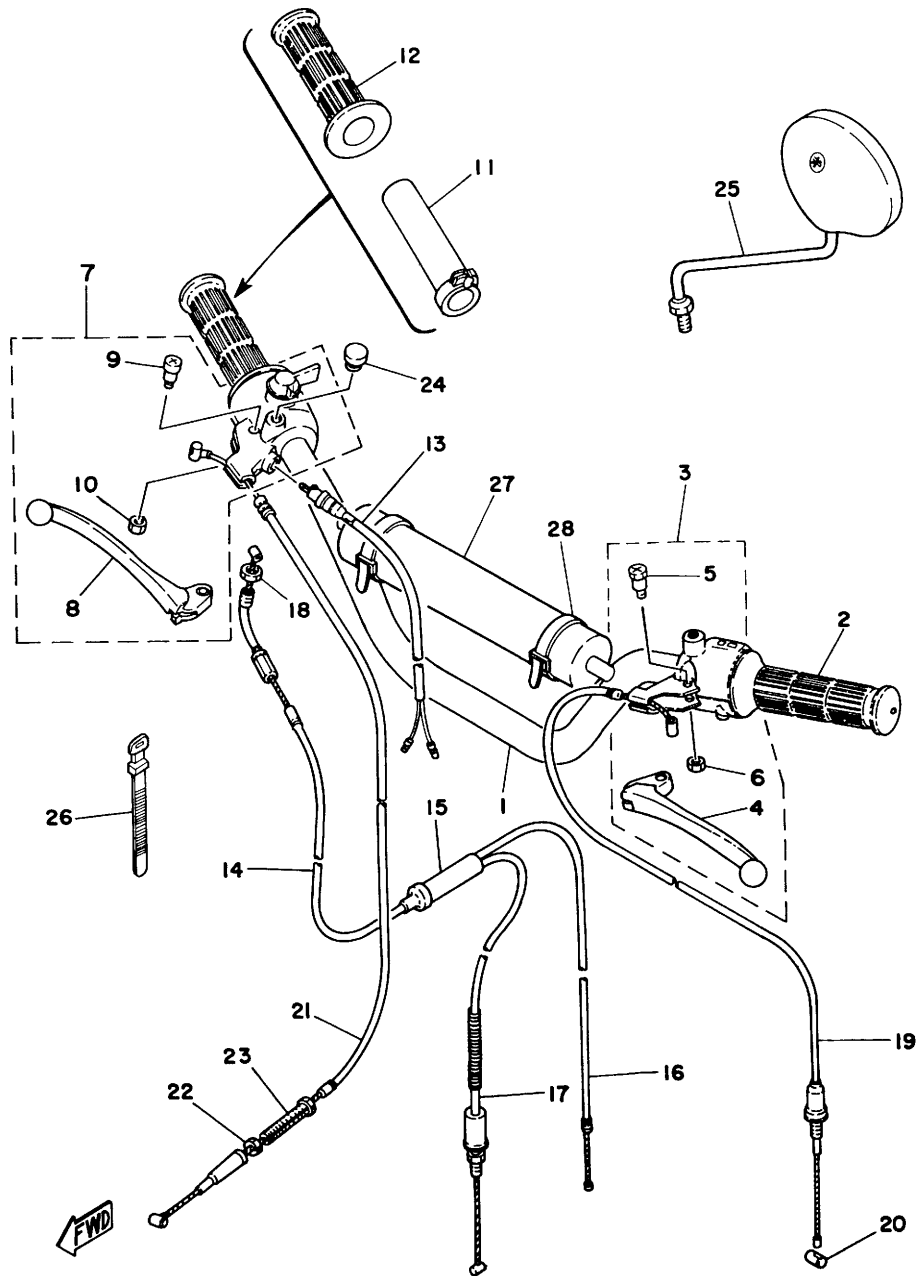
Ref. No.	Part No.	Description	Q'ty	Applicable Machine No.	Remarks
19- 1	2M6-23101-00-35	FRONT FORK ASS'Y	1		Silver
19- 2	2M6-23126-00-35	. TUBE, outer left	1		Silver
19- 3	2M6-23136-00-35	. TUBE, outer right	1		Silver
19- 4	122-23147-00	. O-RING	2		
19- 5	2J9-23141-00	. SPRING, fork	2		
19- 6	290-23149-00	. WASHER	2		
19- 7	2J9-23118-00	. SPACER	2		
19- 8	2M6-23124-00	. TUBE, inner	2		
19- 9	357-23125-90	. METAL, slide	2		
19-10	196-23150-41	. OUTER NUT COMP.	2		
19-11	276-23145-51	. . OIL SEAL	2		
19-12	276-23144-50	. SEAL, dust	2		
19-13	307-23114-00	. PACKING	2		
19-14	276-23112-50	. WASHER, cap	2		
19-15	205-23111-40	. BOLT, cap	2		
19-16	354-23340-90-33	. UNDER BRACKET COMP.	1		Yamaha Black
19-17	122-23346-01	. BOLT, under bracket	2		
19-18	2E7-84118-00-33	STAY, head lamp left	1		Yamaha Black
19-19	2E7-84119-00-33	STAY, head lamp right	1		Yamaha Black
19-20	97301-06016	BOLT, hexagon	2		
19-21	92901-06600	WASHER, plate	2		

Fig. 20 STEERING



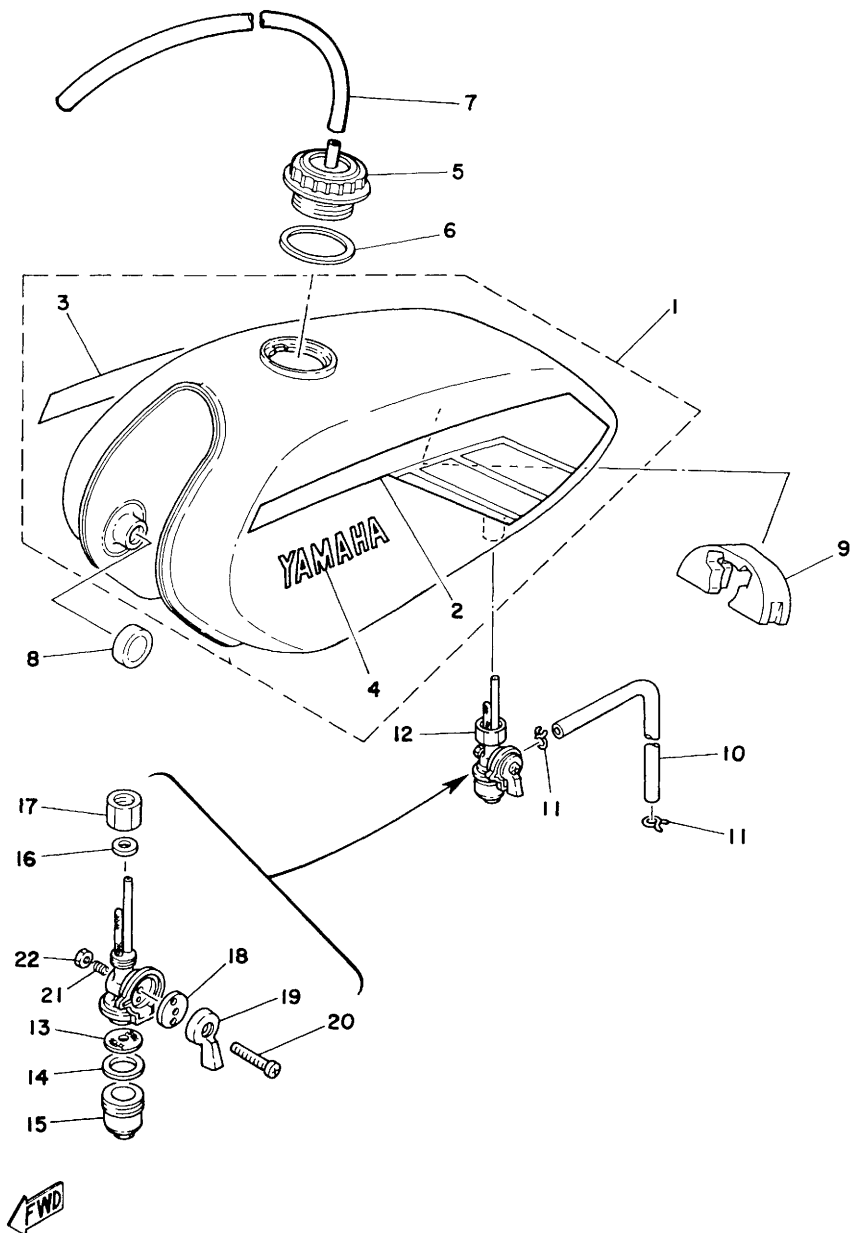
Ref. No.	Part No.	Description	Q'ty	Applicable Machine No.	Remarks
20- 1	156-23411-00	RACE, ball 1	1		
20- 2	93501-04011	BALL (1/4 inch)	19		
20- 3	156-23412-00	RACE, ball 2	1		
20- 4	122-23412-00	RACE, ball 2	1		
20- 5	93503-16010	BALL (3/16 inch)	22		
20- 6	122-23411-00	RACE, ball 1	1		
20- 7	122-23416-00	COVER, ball race	1		
20- 8	90179-25033	NUT (137-23454-00)	1		
20- 9	354-23435-00-33	CROWN, handle	1		Yamaha Black
20-10	1E6-23441-10-98	HOLDER, handle upper	2		Low Gloss Black
20-11	95821-08035	BOLT, flange	4		
20-12	90105-14060	BOLT, hexagon	1		
20-13	97321-08030	BOLT, hexagon	2		
20-14	92901-08100	WASHER, spring	2		
20-15	1G7-23408-00	STEERING LOCK ASS'Y	1		
20-16	98601-05012	SCREW, ovalhead	2		

Fig. 21 HANDLE · WIRE



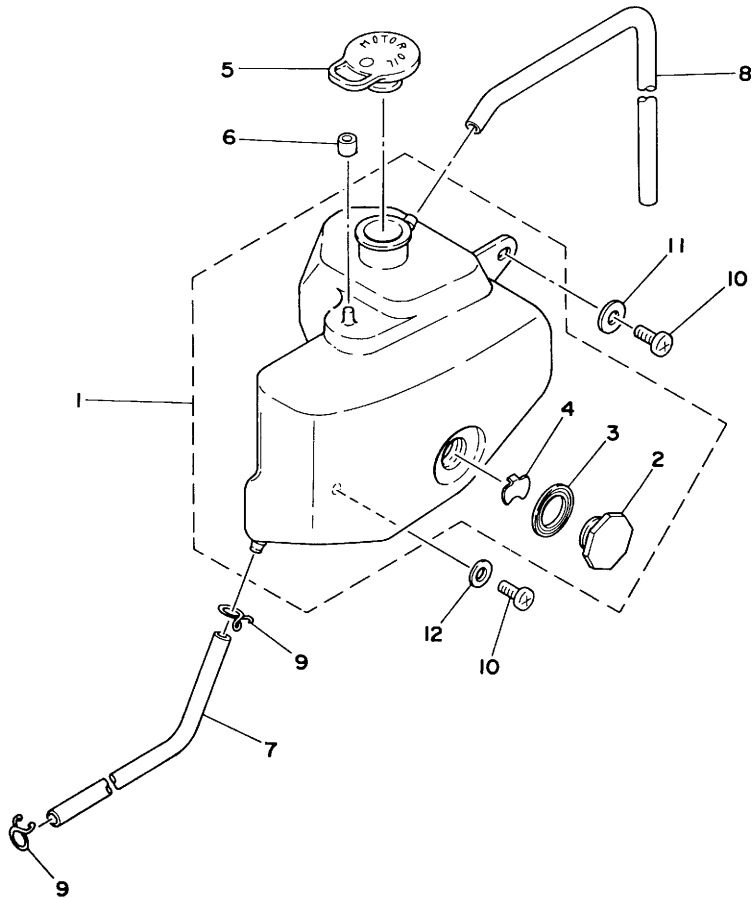
Ref. No.	Parts No.	Description	Q'ty	Applicable Machine No.	Remarks
21- 1	283-26111-00	HANDLE	1		
21- 2	353-26241-00	GRIP, left	1		
21- 3	2M6-82910-00	LEVER HOLDER ASS'Y, left ...	1		
21- 4	137-83912-02-38	. LEVER, left	1		
21- 5	90149-05120	. SCREW	1		
21- 6	95601-05100	. NUT, U	1		
21- 7	2M4-82920-90	LEVER HOLDER ASS'Y, right	1		
21- 8	137-83922-02-38	. LEVER, right	1		
21- 9	90149-05120	. SCREW	1		
21-10	95601-05100	. NUT, U	1		
21-11	1V1-26243-00	TUBE, guide	1		
21-12	353-26242-00	GRIP, right	1		
21-13	361-83980-30	FRONT STOP SWITCH ASS'Y ...	1		
21-14	353-26311-02	WIRE, throttle 1	1		
21-15	266-26261-00	CYLINDER, wire	1		
21-16	367-26312-01	WIRE, throttle 2	1		
21-17	2M4-26321-00	WIRE, pump	1		
21-18	90170-10038	NUT, hexagon	1		
21-19	354-26335-02	WIRE, clutch	1		
21-20	164-26363-00	END, wire	1		
21-21	354-26341-02	WIRE, brake	1		
21-22	90179-06143	NUT (109-26344-00)	1		
21-23	90123-06010	BOLT, wire adjusting	1		
21-24	90338-07011	PLUG (116-83931-00)	1		
21-25	1Y0-26290-10	BACK MIRROR ASS'Y, left	1		
21-26	437-83936-00	BAND, switch cord	2		
21-27	2X1-26124-00	PROTECTOR, handle	1		
21-28	437-83936-10	BAND, switch cord	2		

Fig. 22 FUEL TANK



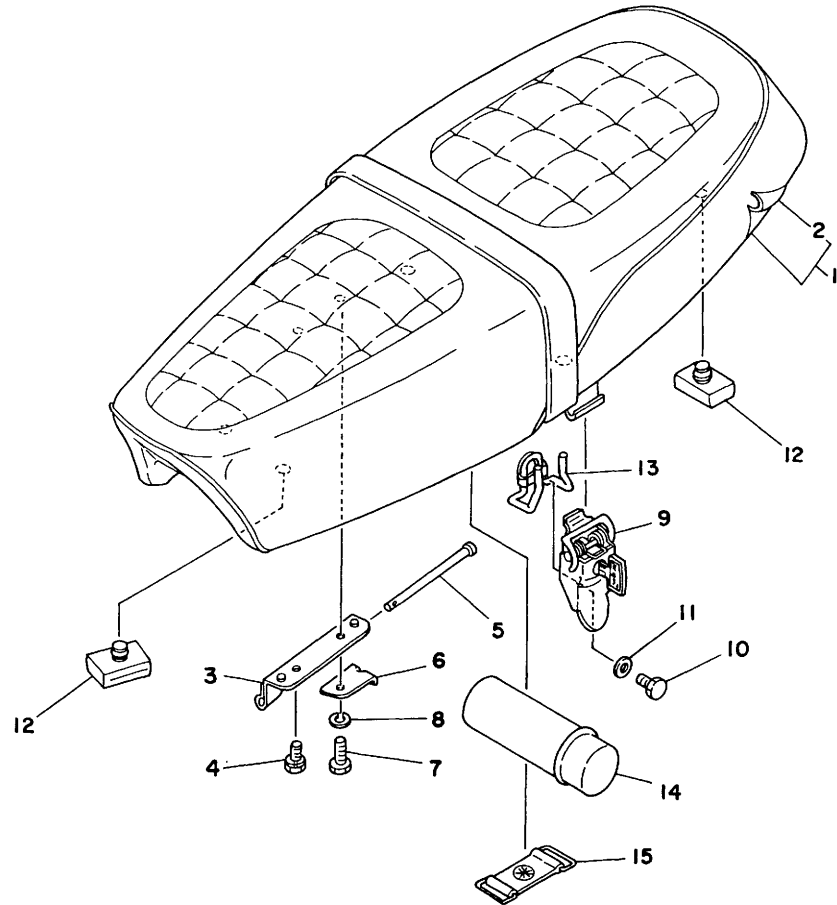
Ref. No.	Parts No.	Description	Q'ty	Applicable Machine No.	Remarks
22- 1	2M4-24110-00-01	FUEL TANK COMP.	1		Clean White
	2M4-24110-00-02	FUEL TANK COMP.	1		Sunshine Red
	2M4-24110-00-03	FUEL TANK COMP.	1		Yamaha Black
22- 2	2M4-24244-20	. GRAPHIC, fuel tank left	1		Clean White
	2M4-24244-30	. GRAPHIC, fuel tank left	1		Sunshine Red
	2M4-24244-40	. GRAPHIC, fuel tank left	1		Yamaha Black
22- 3	2M4-24245-20	. GRAPHIC, fuel tank right	1		Clean White
	2M4-24245-30	. GRAPHIC, fuel tank right	1		Sunshine Red
	2M4-24245-40	. GRAPHIC, fuel tank right	1		Yamaha Black
22- 4	388-24161-00	. EMBLEM, fuel tank	2		for Clean White Sunshine Red
	1J5-24161-00	. EMBLEM, fuel tank	2		for Yamaha Black
22- 5	322-24611-02	BODY, cap	1		
22- 6	90430-35122	GASKET	1		
22- 7	90445-09113	HOSE	1		
22- 8	122-24181-00	DAMPER, locating 1	2		
22- 9	353-24182-00	DAMPER, locating 2	1		
22-10	90445-09070	HOSE (174-24331-00)	1		
22-11	90467-08003	CLIP (101-24356-00)	2		
22-12	367-24500-04	FUEL COCK ASS'Y	1		
22-13	355-24515-00	. NET, filter	1		
22-14	102-24522-01	. PACKING, filter	1		
22-15	122-24521-00	. CUP, filter	1		
22-16	122-24532-00	. GASKET, nut	1		
22-17	603-24531-01	. NUT	1		
22-18	355-24523-00	. VALVE	1		
22-19	355-24524-01	. LEVER, cock	1		
22-20	98501-05030	. SCREW, panhead	1		
22-21	355-24518-01	. SPRING, lever	1		
22-22	95301-05600	. NUT, hexagon	1		

Fig. 23 OIL TANK



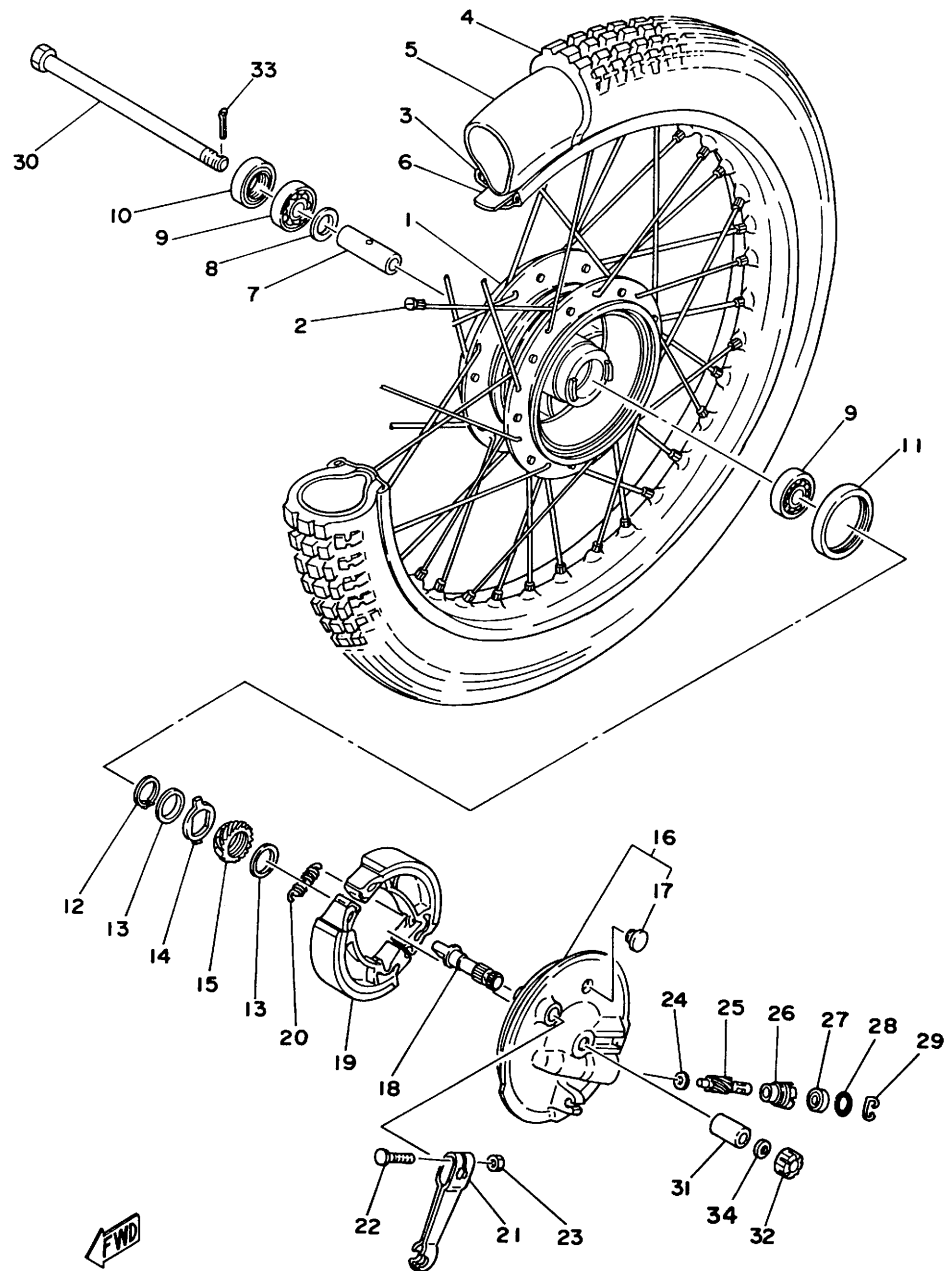
Ref. No.	Part No.	Description	Q'ty	Applicable Machine No.	Remarks
23- 1	2M4-21750-00	OIL TANK COMP.	1		
23- 2	1Y1-21764-00	. LENS, level gauge	1		
23- 3	1Y1-21763-00	. GASKET, level gauge	1		
23- 4	1Y1-2176A-00	. REFLECTOR, level gauge	1		
23- 5	1T9-21771-00	BODY, cap	1		
23- 6	353-21778-00	DAMPER, locating	1		
23- 7	90445-09107	HOSE (353-21766-00)	1		
23- 8	1V1-21745-00	PIPE, breather	1		
23- 9	90467-08003	CLIP (101-24356-00)	2		
23-10	92501-06015	SCREW, panhead	2		
23-11	90201-06067	WASHER, plate (6.5-20-1.6) ...	1		
23-12	90201-06050	WASHER, plate	1		

Fig. 24 SEAT



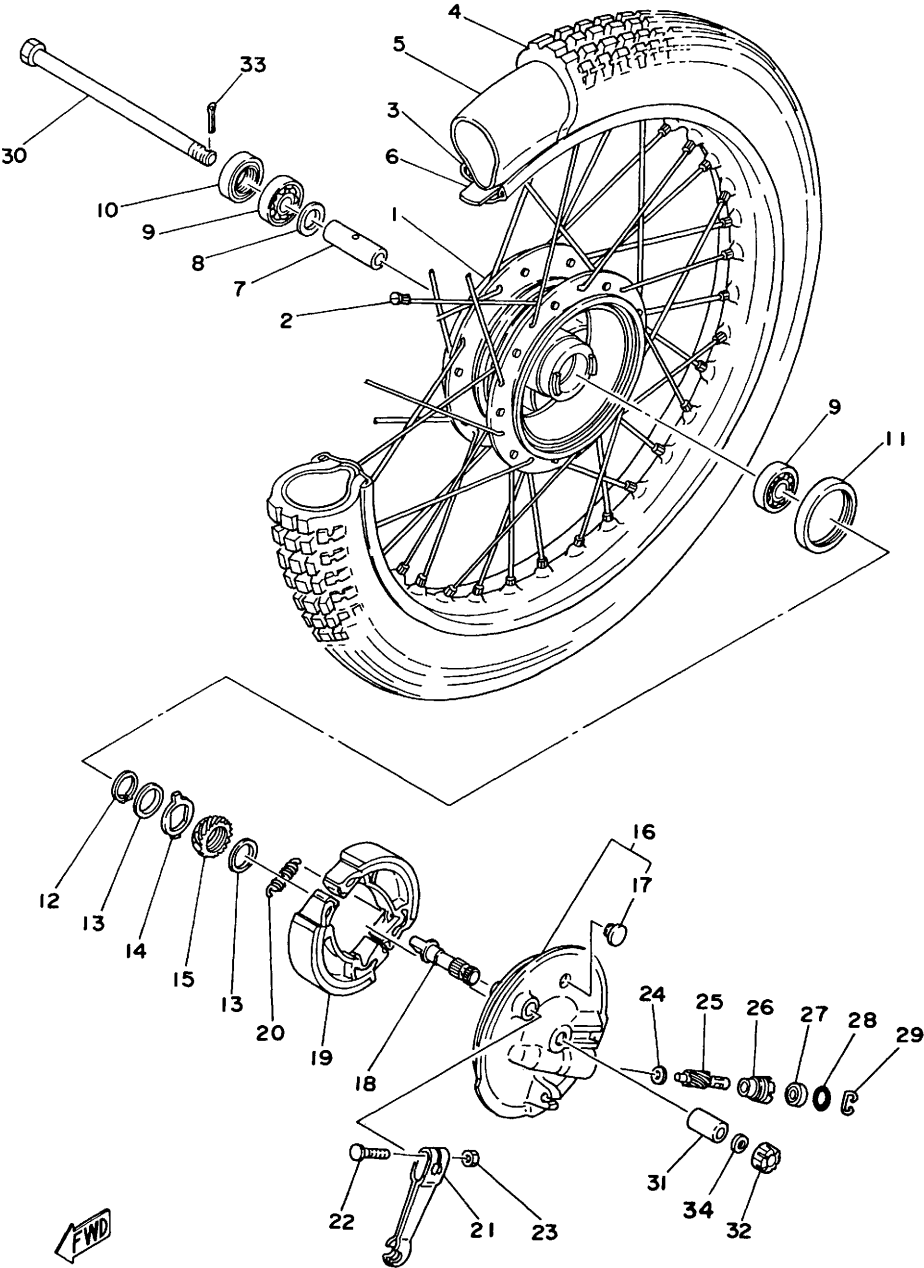
Ref. No.	Part No.	Description	Q'ty	Applicable Machine No.	Remarks
24- 1	2M5-24730-00	DOUBLE SEAT ASS'Y	1		
24- 2	2M5-24731-00	. COVER, double seat	1		
24- 3	538-24726-00	HINGE, seat	1		
24- 4	90101-06304	BOLT, hexagon	1		
24- 5	1K8-24774-00	PIN	1		
24- 6	538-24768-00	STOPPER, pin	1		
24- 7	97301-06012	BOLT, hexagon	1		
24- 8	92901-06100	WASHER, spring	1		
24- 9	1K8-24705-00	SEAT LEVER ASS'Y	1		
24-10	97301-06025	BOLT, hexagon	1		
24-11	92901-06600	WASHER, plate	1		
24-12	214-24724-00	DAMPER, seat	5		
24-13	341-24818-02	HOOK, band	1		
24-14	296-92210-10	PORCH	1		
24-15	288-21376-00	BAND, tool	1		

Fig. 25 FRONT WHEEL



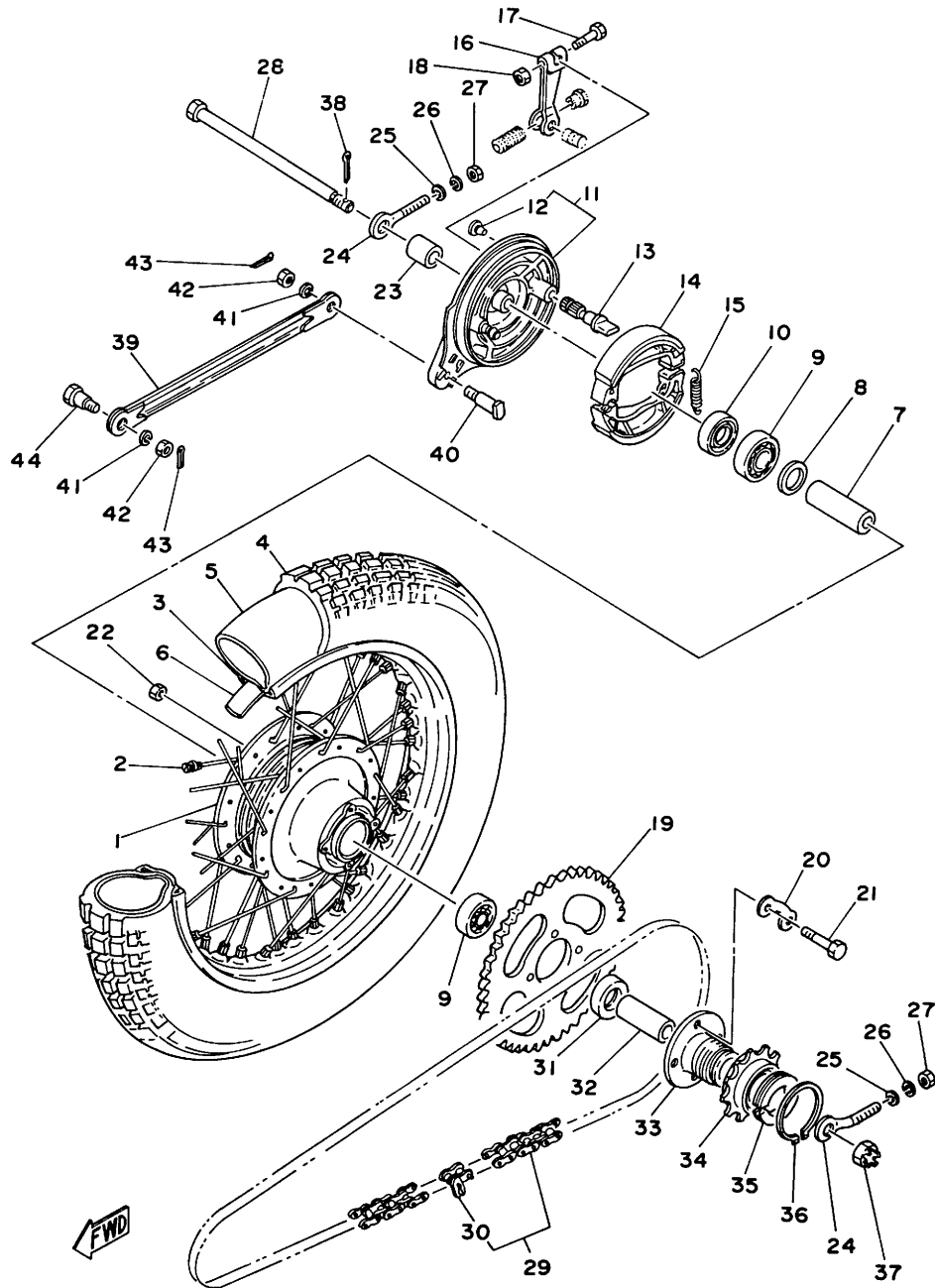
Ref. No.	Part No.	Description	Q'ty	Applicable Machine No.	Remarks
25- 1	296-25111-00	HUB, front	1		
25- 2	109-25104-00	SPOKE SET, front	1s		
25- 3	94414-17003	RIM, front (1.40-17)	1		
25- 4	94127-17284	TIRE, front (2.75-17-4PR)	1		
25- 5	94227-17106	TUBE, front (2.75-17)	1		
25- 6	94327-17079	BAND, rim (2.75-17)	1		
25- 7	296-25117-00	SPACER, bearing	1		
25- 8	195-25115-00	FLANGE, spacer	1		
25- 9	93306-30003	BEARING (B6300Z)	2		
25-10	93106-20001	OIL SEAL (DD-20-35-7)	1		
25-11	93105-47007	OIL SEAL (SDD-47-58-7)	1		
25-12	93410-20009	CIRCLIP (S-20)	1		
25-13	90201-20269	WASHER, plate (183-25147-00)	2		
25-14	183-25149-00	CLUTCH, meter	1		
25-15	538-25135-00	GEAR, drive	1		
25-16	1K8-25016-00-38	BRAKE SHOE PLATE ASS'Y	1		
25-17	90480-10068	GROMMET	1		
25-18	538-25351-01	CAMSHAFT	1		
25-19	296-25330-00	BRAKE SHOE COMP.	2		
25-20	90506-16034	SPRING, tension (102-25333-00)	2		
25-21	538-25155-00	LEVER, camshaft	1		
25-22	90101-06278	BOLT, hexagon	1		
25-23	95301-06600	NUT, hexagon	1		
25-24	90201-07076	WASHER, plate (183-25146-00)	1		
25-25	538-25138-00	GEAR, meter (12T)	1		
25-26	109-25136-00	BUSHING	1		
25-27	93104-07003	OIL SEAL (SO-7-14-4)	1		
25-28	93210-14104	O-RING (2.4-13.8)	1		
25-29	102-25137-00	RING, stop	1		

Fig. 25 FRONT WHEEL



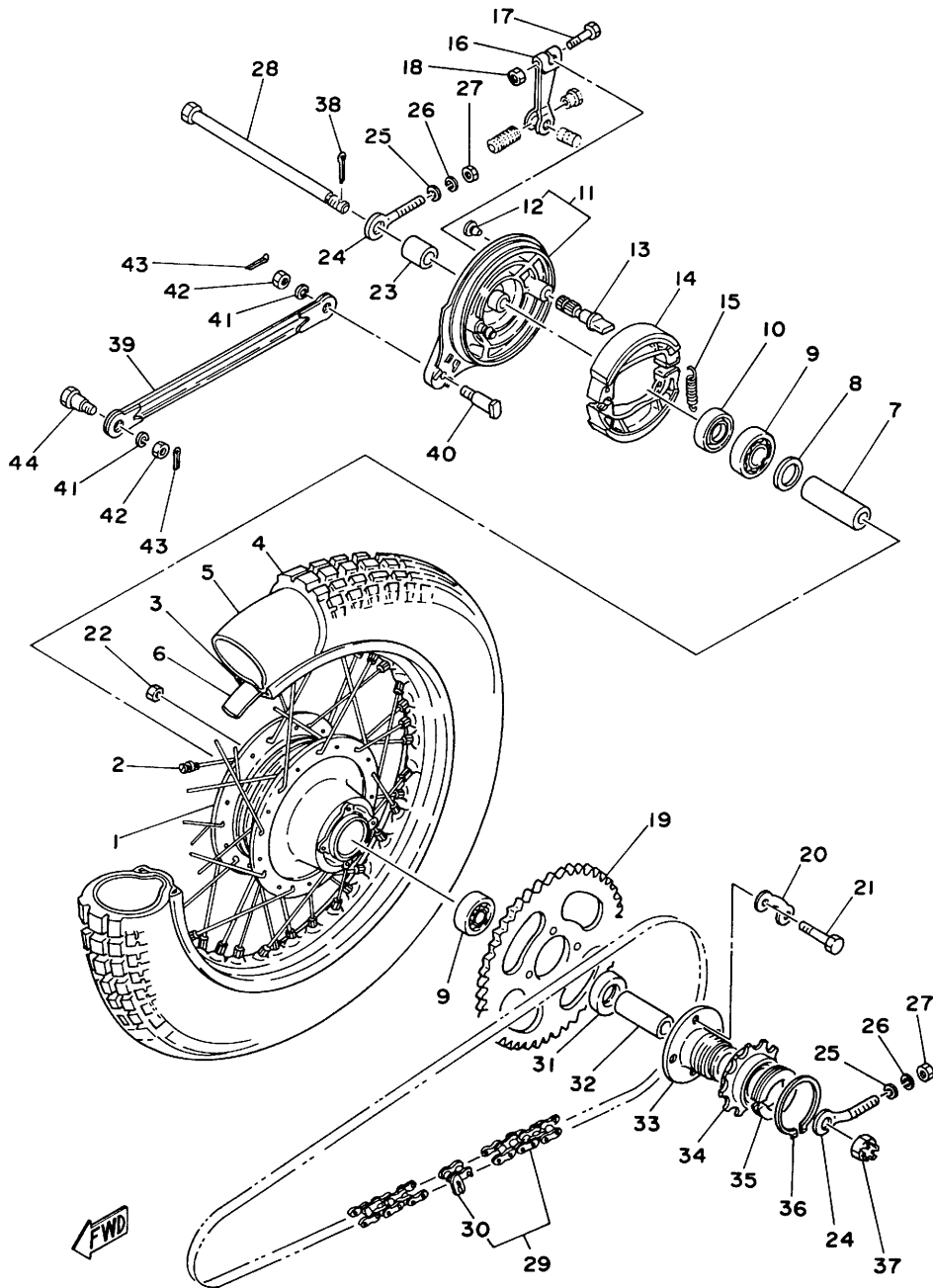
Ref. No.	Part No.	Description	Q'ty	Applicable Machine No.	Remarks
25-30	353-25181-03	SHAFT, wheel	1		
25-31	90387-10077	COLLAR (296-25183-00)	1		
25-32	90171-10004	NUT, castle (353-25182-00)	1		
25-33	91401-20020	PIN, cotter	1		
25-34	92901-10600	WASHER, plate	1		

Fig. 26 REAR WHEEL



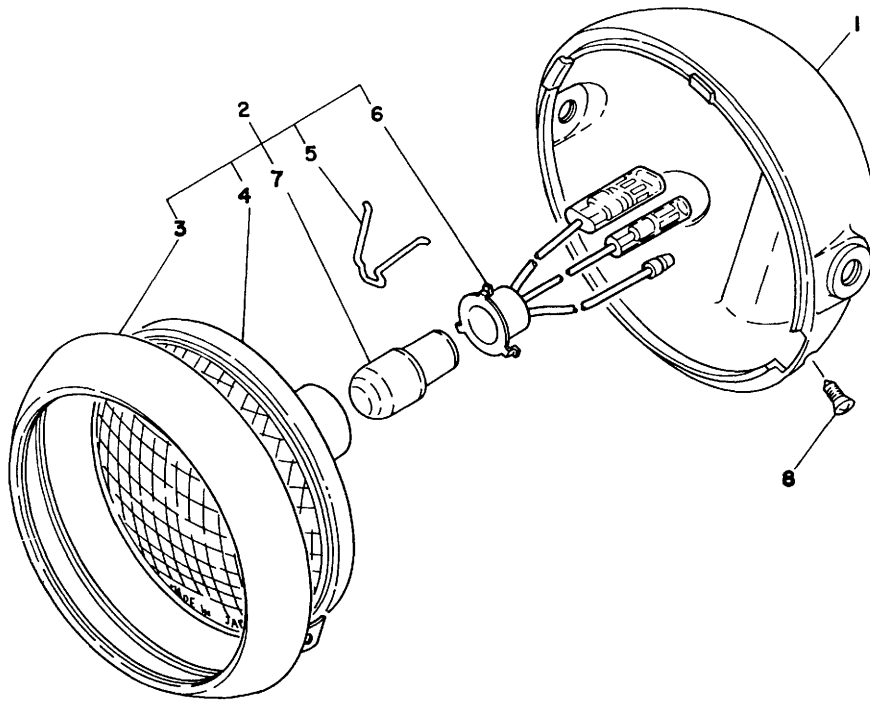
Ref. No.	Part No.	Description	Q'ty	Applicable Machine No.	Remarks
26- 1	462-25311-01-38	HUB, rear	1		
26- 2	296-25304-00	SPOKE SET, rear	1s		
26- 3	94414-17003	RIM, rear (1.40-17)	1		
26- 4	94127-17284	TIRE, rear (2.75-17-4PR)	1		
26- 5	94227-17106	TUBE, rear (2.75-17)	1		
26- 6	94327-17079	BAND, rim (2.75-17)	1		
26- 7	90560-12170	SPACER	1		
26- 8	102-25315-00	FLANGE, spacer	1		
26- 9	93306-30101	BEARING (B6301)	2		
26-10	93104-21016	OIL SEAL (SD-21-37-7)	1		
26-11	355-25026-00-38	BRAKE SHOE PLATE ASS'Y	1		
26-12	90480-10068	GROMMET	1		
26-13	538-25351-01	CAMSHAFT	1		
26-14	296-25330-00	BRAKE SHOE COMP.	2		
26-15	90506-16034	SPRING, tension (102-25333-00)	2		
26-16	538-25355-00	LEVER, camshaft	1		
26-17	90101-06278	BOLT, hexagon	1		
26-18	95301-06600	NUT, hexagon	1		
26-19	462-25443-10-33	GEAR, sprocket wheel (43T)	1		Yamaha Black
26-20	101-25412-00	WASHER, lock	2		
26-21	90109-08411	BOLT	4		
26-22	90170-08158	NUT, hexagon	4		
26-23	90387-12412	COLLAR (102-25383-00)	1		
26-24	102-25389-00	PULLER, chain	2		
26-25	92901-06600	WASHER, plate	2		
26-26	92901-06100	WASHER, spring	2		
26-27	95301-06600	NUT, hexagon	2		
26-28	1G7-25381-00	SHAFT, rear wheel	1		
26-29	94580-13102	CHAIN (DK420M-102L)	1		

Fig. 26 REAR WHEEL



Ref. No.	Part No.	Description	Q'ty	Applicable Machine No.	Remarks
26-30	94604-20001	. JOINT, chain	1		
26-31	93106-20011	OIL SEAL (DD-20-30-10)	1		
26-32	1G7-25377-00	COLLAR	1		
26-33	1G7-25521-00	BOSS	1		
26-34	550-25510-00	FREE WHEEL ASS'Y	1		
36-35	550-25522-00	HOLDER	2		
26-36	93410-48020	CIRCLIP (S-48)	1		
26-37	90171-12005	NUT, castle	1		
26-38	91401-30022	PIN, cotter	1		
26-39	451-25371-00	BAR, tension	1		
26-40	90109-08183	BOLT, hexagon (102-25373-00)	1		
26-41	92901-08100	WASHER, spring	2		
26-42	95301-08700	NUT, hexagon	2		
26-43	91401-20012	PIN, cotter	2		
26-44	90109-08368	BOLT (183-25378-00)	1		

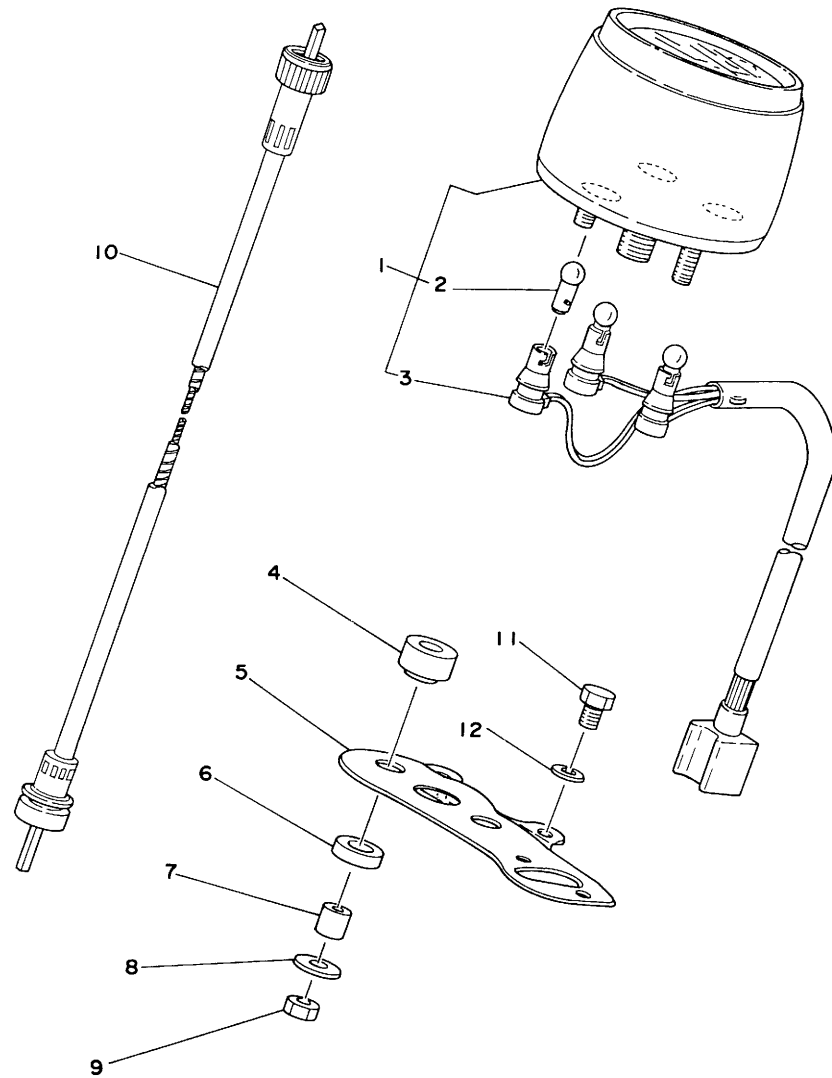
Fig. 27 HEAD LAMP



Ref. No.	Part No.	Description	Q'ty	Applicable Machine No.	Remarks
27- 1	241-84311-00-33	BODY, head lamp	1		Yamaha Black
27- 2	260-84110-00	HEAD LAMP UNIT ASS'Y	1		
27- 3	195-84315-01	. RIM, head lamp	1		
27- 4	260-84120-00	. LENS ASS'Y	1		
27- 5	195-84324-00	. SPRING, reflector set	3		
27- 6	241-84312-00	. SOCKET CORD ASS'Y	1		
27- 7	104-84114-00	. BULB, head lamp (6V-15/15W)	1		
27- 8	90152-05005	SCREW, ovalhead	1		

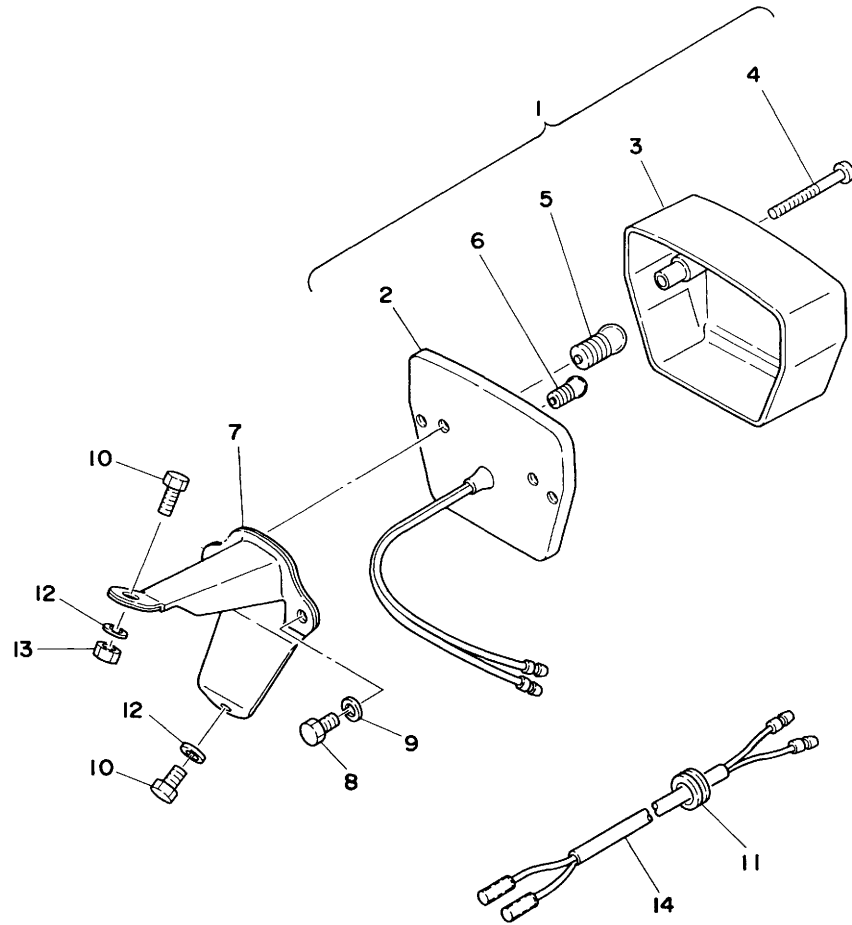


Fig. 28 SPEEDOMETER



Ref. No.	Part No.	Description	Q'ty	Applicable Machine No.	Remarks
28- 1	2M4-83510-11	SPEEDOMETER ASS'Y	1		
28- 2	122-83516-10	. BULB (6V-3W)	3		
28- 3	2V9-83520-00	. SOCKET CORD ASS'Y	1		
28- 4	1M3-83513-00	DAMPER	2		
28- 5	2E7-83519-00-98	BRACKET, speedometer	1		
28- 6	355-83522-00	COLLAR	2		
28- 7	355-83526-00	DAMPER	2		
28- 8	355-83524-00	WASHER, special	2		
28- 9	95301-06600	NUT, hexagon	2		
28-10	353-83550-20	SPEEDOMETER CABLE ASS'Y	1		
28-11	97301-06014	BOLT, hexagon	2		
28-12	92901-06100	WASHER, spring	2		

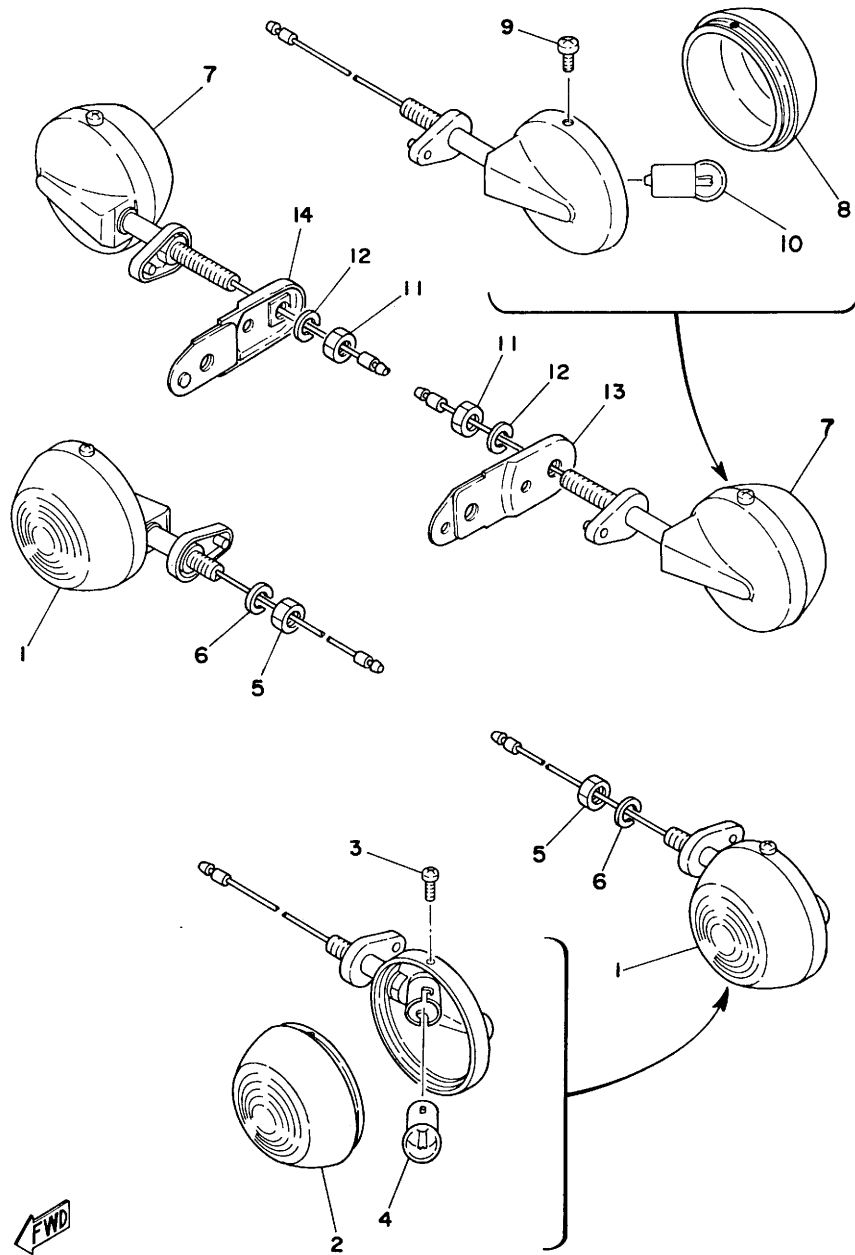
Fig. 29 TAIL LAMP



Ref. No.	Part No.	Description	Q'ty	Applicable Machine No.	Remarks
29- 1	1X4-84510-90	TAIL LAMP UNIT ASS'Y	1		
29- 2	1X6-84511-00	. BASE, tail lamp	1		
29- 3	1X4-84521-90	. LENS, tail lamp	1		
29- 4	1X4-84524-90	. SCREW, lens fitting	2		
29- 5	1X4-84514-00	. BULB, tail lamp (6V-2W)	1		
29- 6	1X4-84535-00	. BULB, tail lamp (6V-5W)	1		
29- 7	2M6-84551-00-35	BRACKET, license	1		Silver
29- 8	97301-05008	BOLT, hexagon	2		
29- 9	92901-05100	WASHER, spring	2		
29-10	97301-06016	BOLT, hexagon	2		
29-11	90480-12067	GROMMET	1		
29-12	92901-06100	WASHER, spring	2		
29-13	95301-06700	NUT, hexagon	1		
29-14	1X7-84517-00	CORD, tail lamp	1		

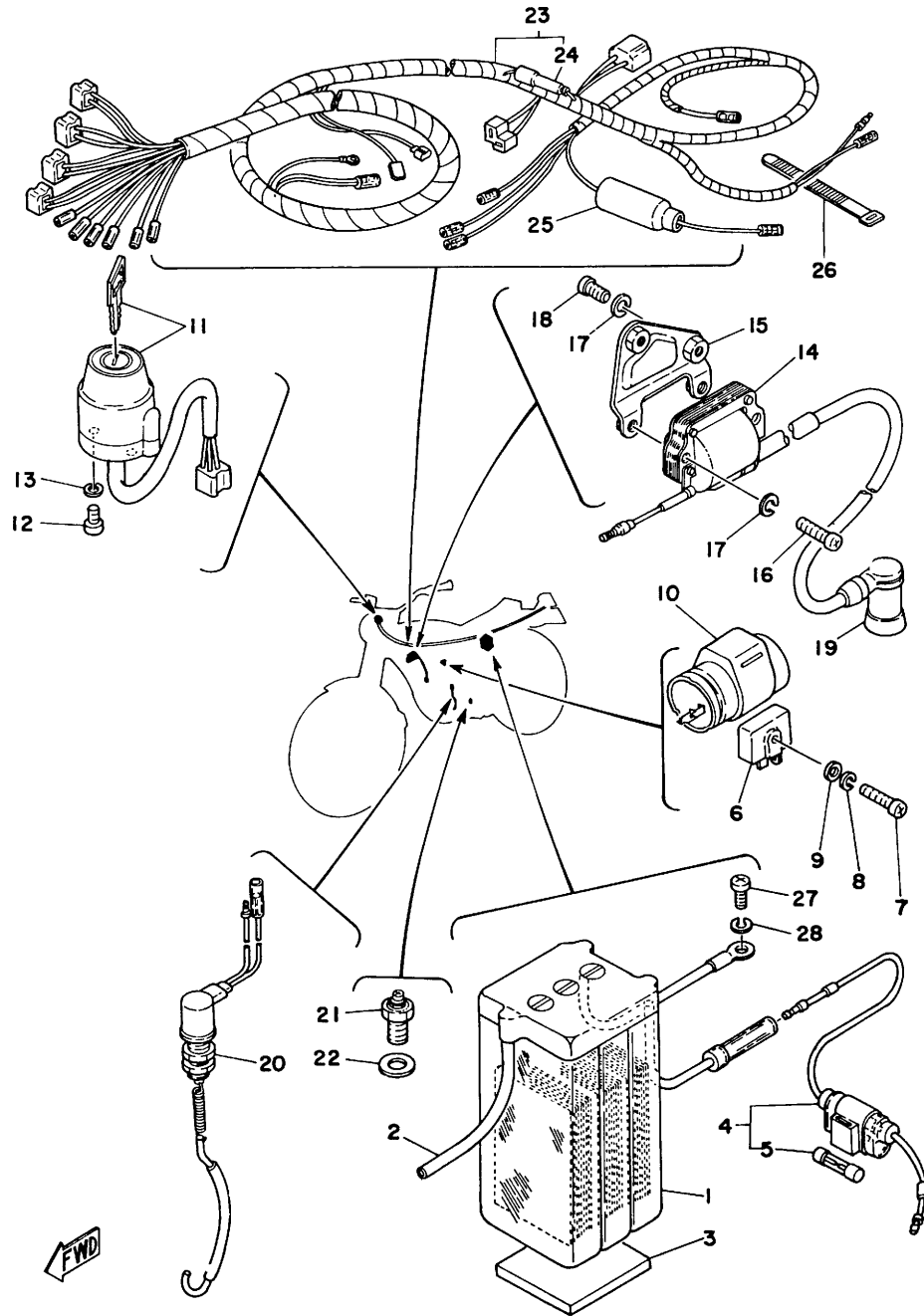


Fig. 30 FLASHER LAMP



Ref. No.	Part No.	Description	Q'ty	Applicable Machine No.	Remarks
30- 1	2M6-83310-N0-93	FRONT FLASHER LAMP ASS'Y	.. 2		
30- 2	1Y1-83312-01	. LENS, flasher lamp 2		
30- 3	2N3-83333-N0	. SCREW, lens fitting 4		
30- 4	152-83311-10	. BULB (6V-10W) 2		
30- 5	95301-08600	NUT, hexagon 2		
30- 6	92901-08100	WASHER, spring 2		
30- 7	2M6-83330-N0-93	REAR FLASHER LAMP ASS'Y	... 2		
30- 8	1Y1-83312-01	. LENS, flasher lamp 2		
30- 9	2N3-83333-N0	. SCREW, lens fitting 4		
30-10	152-83311-10	. BULB (6V-10W) 2		
30-11	95301-08600	NUT, hexagon 2		
30-12	92901-08100	WASHER, spring 2		
30-13	2M8-83368-00	STAY, flasher 3 1		
30-14	2M8-83369-00	STAY, flasher 4 1		

Fig. 31 ELECTRICAL



Ref. No.	Part No.	Description	Q'ty	Applicable Machine No.	Remarks
31- 1	104-82110-21	BATTERY ASS'Y (6N4A-4D)	1		
31- 2	90445-08172	HOSE (104-82112-00)	1		
31- 3	304-82122-00	SEAT, battery	1		
31- 4	353-82150-00	FUSE HOLDER ASS'Y	1		
31- 5	116-82151-00	. FUSE (6V-10A)	2		
31- 6	353-81970-63	RECTIFIER ASS'Y	1	U. R	1
	353-81970-50	RECTIFIER ASS'Y	1		
31- 7	98501-05020	SCREW, panhead	1		
31- 8	92901-05100	WASHER, spring	1		
31- 9	92901-05600	WASHER, plate	1		
31-10	2M5-83350-10	FLASHER RELAY ASS'Y	1		
31-11	2F5-82508-50	MAIN SWITCH ASS'Y	1		
31-12	98501-05010	SCREW, panhead	2		
31-13	92901-05100	WASHER, spring	2		
31-14	2M4-82310-40	IGNITION COIL ASS'Y	1		
31-15	336-82316-01	BRACKET, ignition coil	1		
31-16	92501-06025	SCREW, panhead	2		
31-17	92901-06100	WASHER, spring	4		
31-18	92501-06012	SCREW, panhead	2		
31-19	512-82370-10	PLUG CAP ASS'Y	1		
31-20	353-82530-01	STOP SWITCH ASS'Y	1		
31-21	341-82540-01	NEUTRAL SWITCH ASS'Y	1		
31-22	116-82543-00	GASKET	1		
31-23	2M4-82590-21	WIRE HARNESS ASS'Y	1		
31-24	517-81980-A0	. ADJUSTER ASS'Y	1		
31-25	538-82599-10	COVER, connector	1		
31-26	256-83936-00	BAND, switch cord	1		
31-27	92501-06010	SCREW, panhead	1		
31-28	92901-06100	WASHER, spring	1		

REPAIR KIT

Fig. 32 REPAIR KIT

Ref. No.	Part No.	Description	Q'ty	Applicable Machine No.	Remarks
32- 1	353-11630-01	PISTON ASS'Y (STD)	1s		
	353-11630-11	PISTON ASS'Y (1st O.S)	1s		
	353-11630-21	PISTON ASS'Y (2nd O.S)	1s		
	353-11630-31	PISTON ASS'Y (3rd O.S)	1s		
	353-11630-41	PISTON ASS'Y (4th O.S)	1s		
32- 2	353-11631-31-96	. PISTON (STD 39.96mm)	1		Ref. No. 3-9
	353-11635-31	. PISTON (40.25mm 1st O.S)	1		
	353-11636-31	. PISTON (40.25mm 2nd O.S)	1		
	353-11637-31	. PISTON (40.75mm 3rd O.S)	1		
	353-11638-31	. PISTON (41.00mm 4th O.S)	1		
32- 3	517-11633-00	. PIN, piston	1		3-10
32- 4	93450-13022	. CIRCLIP (132-11634-00)	2		3-11
32- 5	260-11601-03	. PISTON RING SET (STD)	1s		3-12
	260-11601-13	. PISTON RING SET (1st O.S)	1s		
	260-11601-23	. PISTON RING SET (2nd O.S)	1s		
	260-11601-33	. PISTON RING SET (3rd O.S)	1s		
	260-11601-43	. PISTON RING SET (4th O.S)	1s		
32- 6	1K9-11650-00	CONNECTING ROD ASS'Y	1s		
32- 7	538-11651-00	. ROD, connecting	1		3-4
32- 8	93310-418E3	. BEARING, con-rod big end	1		3-5
32- 9	257-11681-00	. PIN, crank	1		3-6
32-10	90209-18112	. WASHER (132-11685-00)	2		3-7
32-11	93310-11268	. BEARING, con-rod small end	1		3-8
32-12	1X7-W0001-00	GASKET KIT	1s		
32-13	90430-12038	. GASKET (132-15353-00)	1		1-9
32-14	353-11351-00	. GASKET, cylinder	1		1-11
32-15	517-11181-00	. GASKET, cylinder head	1		1-13
32-16	353-15451-00	. GASKET, crankcase cover	1		2-7
32-17	93210-21190	. O-RING (2.6-20.6)	1		2-15

Ref. No.	Part No.	Description	Q'ty	Applicable Machine No.	Remarks
32-18	137-15353-00	. GASKET, drain plug (14-21-15)	1		Ref. No. 6-12
32-19	353-13621-00	. PACKING, valve seat	2		9-16
32-20	1G5-14384-00	. GASKET, float chamber	1		10-9
32-21	93210-16290	. O-RING (3.1-16.0)	1		11-2
32-22	93210-31264	. O-RING (3.5-30.7)	1		11-5
32-23	132-14613-00	. GASKET, exhaust pipe	1		11-11
32-24	126-13116-00	. GASKET, pump case	1		12-1
32-25	90430-04004	. GASKET (137-13187-00)	1		12-18
32-26	1X7-W0003-00	OIL SEAL KIT	1s		
32-27	93103-28011	. OIL SEAL (SW-28-40-8)	1		3-14
32-28	93102-20009	. OIL SEAL (SD-20-35-7)	1		3-20
32-29	93104-11028	. OIL SEAL (SO-10.5-15-3)	1		4-23
32-30	93102-25017	. OIL SEAL (SD-25-40-5)	1		5-26
32-31	257-15389-00	. SEAL, push rod	1		5-31
32-32	93101-12004	. OIL SEAL (S-12-22-5)	1		7-14
32-33	93109-15001	. OIL SEAL (SDO-15-26-6)	1		8-9
32-34	93101-10001	. OIL SEAL (S-10-21-5)	1		12-6

NUMERICAL INDEX

NUMERICAL INDEX

Part No.	Ref.No.	Part No.	Ref.No.	Part No.	Ref.No.	Part No.	Ref.No.	Part No.	Ref.No.	Part No.	Ref.No.
1E6-23441-10-98	20-10	1L4-14612-00	11- 9	104-82110-21	31- 1	137-13137-00-05	12-12	2J9-23141-00	19- 5	2M4-82590-21	31-23
1E7-13176-00	12- 5	1M3-83513-00	28- 4	104-84114-00	27- 7	137-13137-00-10	12-12	2M4-14718-00-R4	11-12	2M4-82920-90	21- 7
1F1-22122-00	15-12	2N3-83333-N0	30- 3	109-25104-00	25- 2	137-13138-01	12-13	2M4-15612-00	8- 2	2M4-83510-11	28- 1
1F1-27810-00	16- 1	1T9-21513-00	18- 2	109-25136-00	25-26	137-15353-00	6-12	2M4-21711-10	14- 8	2M5-24730-00	24- 1
1F1-27815-00	16- 2	1T9-21771-00	23- 5	110-81345-21	13-14	137-16356-00	4-14	2M4-21711-20	14- 8	2M5-24731-00	24- 2
1F1-27828-00	16- 9	1V1-21745-00	23- 8	110-81346-21	13-11	137-83912-02-38	21- 4	2M4-21717-00	14-12	2M5-27314-00	17- 6
1F1-27850-00	16-21	1V1-26243-00	21-11	110-81347-21	13- 8	137-83922-02-38	21- 8	2M4-21721-00-33	14- 9	2M5-83350-10	31-10
1F1-27860-00	16-22	1X4-84510-90	29- 1	110-81348-21	13- 6	152-83311-10	30- 4	2M4-21721-00-36	14- 9	2M6-14711-00	11- 1
1G3-11311-00	1-12	1X4-84514-00	29- 5	116-81331-20	13-10		30-10	2M4-21721-00-66	14- 9	2M6-21110-00-33	14- 1
1G3-14336-00	10-19	1X4-84521-90	29- 3	116-82151-00	31- 5	156-15618-01	8- 6	2M4-21750-00	23- 1	2M6-21511-30	18- 1
1G3-14411-01	9- 1	1X4-84524-90	29- 4	116-82543-00	31-22	156-23411-00	20- 1	2M4-21783-00	14-10	2M6-21511-40	18- 1
1G3-14752-01	11- 4	1X4-84535-00	29- 6	117-15644-00	8-15	156-23412-00	20- 3	2M4-21783-10	14-10	2M6-21511-50	18- 1
1G4-15610-01-91	8- 1	1X6-84511-00	29- 2	120-27431-00	16-23	164-26363-00	21-20	2M4-21783-20	14-10	2M6-21611-20	18-10
1G5-13505-00	9-17	1X7-W0001-00	32-12	120-27433-00	16-24	183-22151-00	15- 5	2M4-21784-00	14-11	2M6-23101-00-35	19- 1
1G5-14312-05	10-18	1X7-W0003-00	32-26	122-16164-00	4- 4	183-25149-00	25-14	2M4-21784-10	14-11	2M6-23124-00	19- 8
1G5-14381-25	10-10	1X7-11111-00-94	1-14		4-16	195-25115-00	25- 8	2M4-21784-20	14-11	2M6-23126-00-35	19- 2
1G5-14384-00	10- 9	1X7-14301-00	10- 1	122-23147-00	19- 4	195-27231-02	17-14	2M4-21787-10	14-18	2M6-23136-00-35	19- 3
1G5-14385-00	10- 7	1X7-14611-00	11-10	122-23346-01	19-17	195-84315-01	27- 3	2M4-21787-20	14-18	2M6-82910-00	21- 3
1G5-14453-01	9- 7	1X7-14615-00	11- 8	122-23411-00	20- 6	195-84324-00	27- 5	2M4-24110-00-01	22- 1	2M6-83310-N0-93	30- 1
1G5-14454-00	9- 2	1X7-84517-00	29-14	122-23412-00	20- 4	196-23150-41	19-10	2M4-24110-00-02	22- 1	2M6-83330-N0-93	30- 7
1G7-22311-00-35	15-18	1Y0-26290-10	21-25	122-23416-00	20- 7	2A3-16150-00	4- 2	2M4-24110-00-03	22- 1	2M6-84551-00-35	29- 7
1G7-23408-00	20-15	1Y1-2176A-00	23- 4	122-24181-00	22- 8	2A3-16301-00	4- 1	2M4-24244-20	22- 2	2M8-83368-00	30-13
1G7-25377-00	26-32	1Y1-21763-00	23- 3	122-24521-00	22-15	2A3-27212-00	17-12	2M4-24244-30	22- 2	2M8-83369-00	30-14
1G7-25381-00	26-28	1Y1-21764-00	23- 2	122-24532-00	22-16	2A6-81321-20	13- 7	2M4-24244-40	22- 2	2N3-83333-N0	30- 9
1G7-25521-00	26-33	1Y1-83312-01	30- 2	122-83516-10	28- 2	2E7-21711-10	14- 8	2M4-24245-20	22- 3	2V9-83520-00	28- 3
1G7-27211-01-33	17-10		30- 8	126-13116-00	12- 1	2E7-83519-00-98	28- 5	2M4-24245-30	22- 3	2X1-26124-00	21-27
1G7-27812-00	16-11	101-25412-00	26-20	131-16321-00	4- 7	2E7-84118-00-33	19-18	2M4-24245-40	22- 3	205-23111-40	19-15
1J5-24161-00	22- 4	102-18137-00-10	5-23	131-16367-00	4- 6	2E7-84119-00-33	19-19	2M4-26321-00	21-17	214-17428-00-09	5-13
1K8-13101-01	12-11	102-22123-00	15- 2	132-14613-00	11-11	2F5-82508-50	31-11	2M4-81300-20	13- 1	214-18178-00	7- 7
1K8-24705-00	24- 9	102-24522-01	22-14	132-15664-01	8-13	2J7-22110-00-33	15- 1	2M4-81312-20	13- 4	214-18531-00	6-19
1K8-24774-00	24- 5	102-25137-00	25-29	132-15676-01	8-11	2J7-27311-00-33	17- 1	2M4-81313-20	13- 5	214-18561-00	6- 3
1K8-25016-00-38	25-16	102-25315-00	26- 8	132-16346-00	4-26	2J7-27321-00-33	17- 5	2M4-81315-20	13-12	214-24724-00	24-12
1K8-81325-20	13- 9	102-25389-00	26-24	132-18113-01	7-10	2J9-21617-00	18-11	2M4-81350-20	13- 3	241-16341-01	4-21
1K9-11650-00	32- 6	104-81328-20	13-13	137-13137-00-03	12-12	2J9-23118-00	19- 7	2M4-82310-40	31-14	241-84311-00-33	27- 1

NUMERICAL INDEX

Part No.	Ref.No.	Part No.	Ref.No.	Part No.	Ref.No.	Part No.	Ref.No.	Part No.	Ref.No.	Part No.	Ref.No.
241-84312-00	27- 6	288-14343-41	10- 4	353-13552-01	12-21	353-18547-00	6-14	367-14195-00	10- 6	492-15387-00	1-21
248-13174-00	12-25	288-14343-42	10- 4	353-13610-01	9-11	353-18562-00	6- 8	367-14323-00	10-17	512-82370-10	31-19
248-15668-00	8-18	288-21376-00	14-20	353-13621-00	9-16	353-21778-00	23- 6	367-14331-00	10-22	517-11181-00	1-13
256-83936-00	31-26		24-15	353-15111-00	1- 1	353-24182-00	22- 9	367-14335-00	10-29	517-11633-00	3-10
257-11681-00	3- 6	288-22141-00	15- 3	353-15121-02	1- 2	353-25181-03	25-30	367-14337-00	10-16	517-81980-A0	31-24
257-13175-00	12- 3	290-23149-00	19- 6	353-15361-00	2-16	353-26241-00	21- 2	367-14342-17	10- 2	520-81309-20	13- 2
257-15389-00	5-31	296-25111-00	25- 1	353-15362-00	2-14	353-26242-00	21-12	367-14371-00	10-28	538-11400-01	3- 1
257-16324-00	4- 8	296-25117-00	25- 7	353-15411-00-Y4	2- 1	353-26311-02	21-14	367-14373-00	10-33	538-11651-00	3- 4
257-17219-00	5-18	296-25304-00	26- 2	353-15415-00-Y4	2- 2	353-28100-11	14-19	367-14374-00	10-32	538-14412-01	9- 4
257-17461-11	5-28	296-25330-00	25-19	353-15416-00-Y4	2-12	353-81970-50	31- 6	367-14375-01	10-30	538-14753-01	11- 3
257-17461-21	5-28		26-14	353-15421-00-Y4	2- 6	353-81970-63	31- 6	367-14377-00	10-31	538-24726-00	24- 3
257-17461-31	5-28	296-92210-10	24-14	353-15437-02	2- 9	353-82150-00	31- 4	367-14386-00	10- 8	538-24768-00	24- 6
260-11601-03	3-12	304-82122-00	31- 3	353-15451-00	2- 7	353-82530-01	31-20	367-14390-14	10- 5	538-25135-00	25-15
260-11601-13	3-12	307-23114-00	19-13	353-15641-00	8-17	353-83550-20	28-10	367-14396-00	10-34	538-25138-00	25-25
260-11601-23	3-12	314-13613-00	9-12		5-22	354-22210-20	15-15	367-14451-01	9- 3	538-25155-00	25-21
260-11601-33	3-12	314-13616-01	9-13	353-15660-02	8- 8	354-23340-90-33	19-16	367-17221-00	5-12	538-25351-01	25-18
260-11601-43	3-12	322-24611-02	22- 5	353-16111-01	3-16	354-23435-00-33	20- 9	367-18197-00	7- 2		26-13
260-84110-00	27- 2	336-82316-01	31-15	353-16351-00	4- 9	354-26335-02	21-19	367-18541-01	6- 1	538-25355-00	26-16
260-84120-00	27- 4	341-24818-02	24-13	353-16357-00	4-18	354-26341-02	21-21	367-24500-04	22-12	538-82599-10	31-25
266-26261-00	21-15	341-82540-01	31-21	353-16371-00	4- 5	355-24515-00	22-13	367-26312-01	21-16	550-22178-00	15- 7
276-23112-50	19-14	353-11351-00	1-11	353-16396-00	4-22	355-24518-01	22-21	374-18141-00	6-10	550-22179-00	15- 6
276-23144-50	19-12	353-11630-01	32- 1	353-17121-10	5- 5	355-24523-00	22-18	388-24161-00	22- 4	550-25510-00	26-34
276-23145-51	19-11	353-11630-11	32- 1	353-17131-00	5- 4	355-24524-01	22-19	420-11127-00	1-22	550-25522-00	36-35
278-13552-02	9-18	353-11630-21	32- 1	353-17141-01	5- 2	355-25026-00-38	26-11	420-11128-00	1-23	598-17421-00	5-10
283-17496-00	16- 5	353-11630-31	32- 1	353-17211-00	5-17	355-83522-00	28- 6	420-11129-00	1-24	603-24531-01	22-17
283-26111-00	21- 1	353-11630-41	32- 1	353-17231-00	5-15	355-83524-00	28- 8	420-11412-00	3- 2	646-14211-02	10-15
283-27821-00	16-17	353-11631-31-96	3- 9	353-17241-00	5-16	355-83526-00	28- 7	420-11422-00	3- 3	646-14212-01	10-14
283-27824-00	16-16	353-11631-31-98	3- 9	353-17411-10	5- 1	357-23125-90	19- 9	437-83936-00	21-26	90101-06278	25-22
283-27826-00	16-18	353-11631-31-99	3- 9	353-17471-00	5- 8	361-83980-30	21-13	437-83936-10	21-28		26-17
288-14124-00	10-26	353-11635-31	3- 9	353-18101-00	7- 8	367-13146-01	12-14	451-16342-00	4-25	90101-06304	24- 4
288-14137-00	10-20	353-11636-31	3- 9	353-18111-00-93	7- 9	367-14126-00	10-23	451-25371-00	26-39	90105-14060	20-12
288-14161-00	10-25	353-11637-31	3- 9	353-18120-00	7- 1	367-14136-01	10-21	462-25311-01-38	26- 1	90109-08031	17- 2
288-14341-03	10- 3	353-11638-31	3- 9	353-18511-01	6- 5	367-14168-00	10-24	462-25443-10-33	26-19	90109-08183	26-40
288-14343-40	10- 4	353-13178-00	12- 8	353-18512-01	6-18	367-14169-00	10-27	470-15435-00	15-21	90109-08368	26-44

NUMERICAL INDEX

Part No.	Ref.No.	Part No.	Ref.No.	Part No.	Ref.No.	Part No.	Ref.No.	Part No.	Ref.No.	Part No.	Ref.No.
90109-08411	26-21	90201-20279	16-25	90445-22310	9-20	91609-30014	16- 4	92901-06100	15-10	93102-20009	3-20
90109-14485	6-11	90202-05005	11-15	90460-33087	9- 8	91701-06032	16-26		15-20	93102-25017	5-26
90113-06013	4-20		14-17	90460-49034	9- 9	91830-21014	1- 7		18- 5	93103-28011	3-14
90116-06026	1-10	90202-06010	11-14	90467-08003	22-11		2- 8		18- 7	93104-07003	25-27
90119-05001	4-10		14-16		23- 9	91830-22016	1- 3		18-13	93104-11028	4-23
90123-06010	21-23	90206-15021	5-21	90468-02033	12-22	92501-06008	15-19		18-20	93104-21016	26-10
90149-05120	21- 5	90208-12015	3-17		12-24	92501-06010	9- 5		24- 8	93105-47007	25-11
	21- 9		4-12	90468-26038	8-16		11- 6		26-26	93106-20001	25-10
90149-08094	7- 5	90209-10108	8- 4	90480-10068	25-17		31-27		28-12	93106-20011	26-31
90152-05005	27- 8	90209-18112	3- 7		26-12	92501-06012	5- 9		29-12	93109-15001	8- 9
90170-08158	26-22	90215-13019	5-29	90480-12067	29-11		31-18		31-17	93210-14104	25-28
90170-10038	21-18	90249-06005	16- 6	90501-02217	12-20	92501-06015	4-24		31-28	93210-16290	11- 2
90170-12060	4-13	90249-12008	17-18	90501-08460	16- 3		14-13	92901-06200	1-16	93210-21190	2-15
90170-12175	3-23	90251-07001	16-12	90501-09292	6-13		23-10		1-20	93210-31264	11- 5
90171-10004	25-32	90280-03017	3-24	90501-10245	17-17	92501-06020	2- 3		9- 6	93210-98202	4- 3
90171-12005	26-37	90282-05005	3-25	90501-20125	4-11		9-19		17-15	93306-20303	5- 7
90179-06143	21-22	90334-12009	6-16	90501-20132	16-14	92501-06025	1- 6	92901-06600	16- 7	93306-20418	3-13
90179-06176	17-19	90338-07011	21-24	90504-18005	8- 3		2-13		19-21		3-19
90179-12181	5-30	90338-16029	1-18	90506-07066	4-27		31-16		24-11	93306-30003	25- 9
90179-12244	3-18	90340-12005	1- 8	90506-16034	25-20	92501-06030	2- 5		26-25	93306-30101	26- 9
90179-25033	20- 8	90387-06268	15- 8		26-15		2-11	92901-08100	14- 6	93306-30301	5-25
90201-06050	23-12	90387-10077	25-31	90506-25047	17- 4	92501-06040	2-10		17- 9	93310-11268	3- 8
90201-06067	14-14	90387-12412	26-23	90508-20300	15-13	92501-06045	2- 4		18-16	93310-418E3	3- 5
	18- 8	90387 16126	5-11	90508-29323	8-12	92501-06050	1- 4		20-14	93410-12003	5-24
	18-14	90387-17137	5-27	90508-32054	7- 3	92501-06055	1- 5		26-41	93410-13004	5- 6
	23-11	90387-20170	3-15	90508-32056	17-11	92701-06012	6- 9		30- 6		5-19
90201-07076	25-24	90430-04004	12-18	90560-12170	26- 7	92901-03100	9-14		30-12	93410-15005	8-10
90201-08624	12- 2	90430-12038	1- 9	90560-17123	4-15	92901-04100	10-11	92901-08600	11-17	93410-20009	25-12
90201-10135	12- 7	90430-35122	22- 6	91401-16012	16-27	92901-05100	12-15	92901-10600	25-34	93410-25017	8-14
90201-12175	15-17	90445-05217	12-23	91401-20012	17-16		29- 9	92901-12100	3-22	93410-48020	26-36
90201-12535	3-21	90445-08172	31- 2		26-43		31- 8	92901-16200	16-10	93430-08006	12- 9
90201-12575	7-13	90445-09070	22-10	91401-20020	25-33		31-13	92903-06200	18-19		15-14
90201-13202	5-20	90445-09107	23- 7	91401-25017	6- 7	92901-05600	31- 9	93101-10001	12- 6	93430-10016	6-20
90201-20269	25-13	90445-09113	22- 7	91401-30022	26-38	92901-06100	11- 7	93101-12004	7-14		7- 4

NUMERICAL INDEX

Part No.	Ref.No.	Part No.	Ref.No.	Part No.	Ref.No.	Part No.	Ref.No.	Part No.	Ref.No.	Part No.	Ref.No.
95301-06600	24-23	97301-08016	11-13								
	25-18		16-11								
	25-27	97301-08020	16-10								
	27- 9	97303-06020	28-13								
	28-12	97311-06025	8- 7								
	28-16	97321-06020	7-11								
95301-06700	4-19	97321-08030	16- 8								
95301-08600	7- 6		19-13								
	29- 5	98501-04014	10-33								
	29-11	98501-05008	15- 7								
95301-08700	16- 3	98501-05010	30-12								
	25-38	98501-05016	12-10								
95301-10600	15- 4	98501-05020	30- 7								
95304-12800	15-10	98501-05030	21-20								
95601-05100	20- 6	98511-03045	28- 4								
	20-10	98512-03008	9-15								
95601-08100	14- 7	98601-05012	19-16								
95701-08100	14- 5	98701-05012	6- 7								
95811-08155	14- 4	98701-05015	13-15								
95821-08035	19-11	98901-04008	12-17								
95821-08090	14- 3	98901-06010	14-15								
95821-08120	14- 2	98906-06010	11- 9								
97301-05008	28- 6										
97301-06010	1-19										
	9-10										
97301-06012	17- 3										
	23- 7										
	28- 9										
	30-24										
97301-06014	17- 5										
	27-11										
97301-06016	17-11										
	18-20										
97301-06025	23-10										



YAMAHA MOTOR CO., LTD.

PRINTED IN JAPAN

First edition Sep., 1978